



AUSTRALIA

CJ650B PARTS CATALOGUE

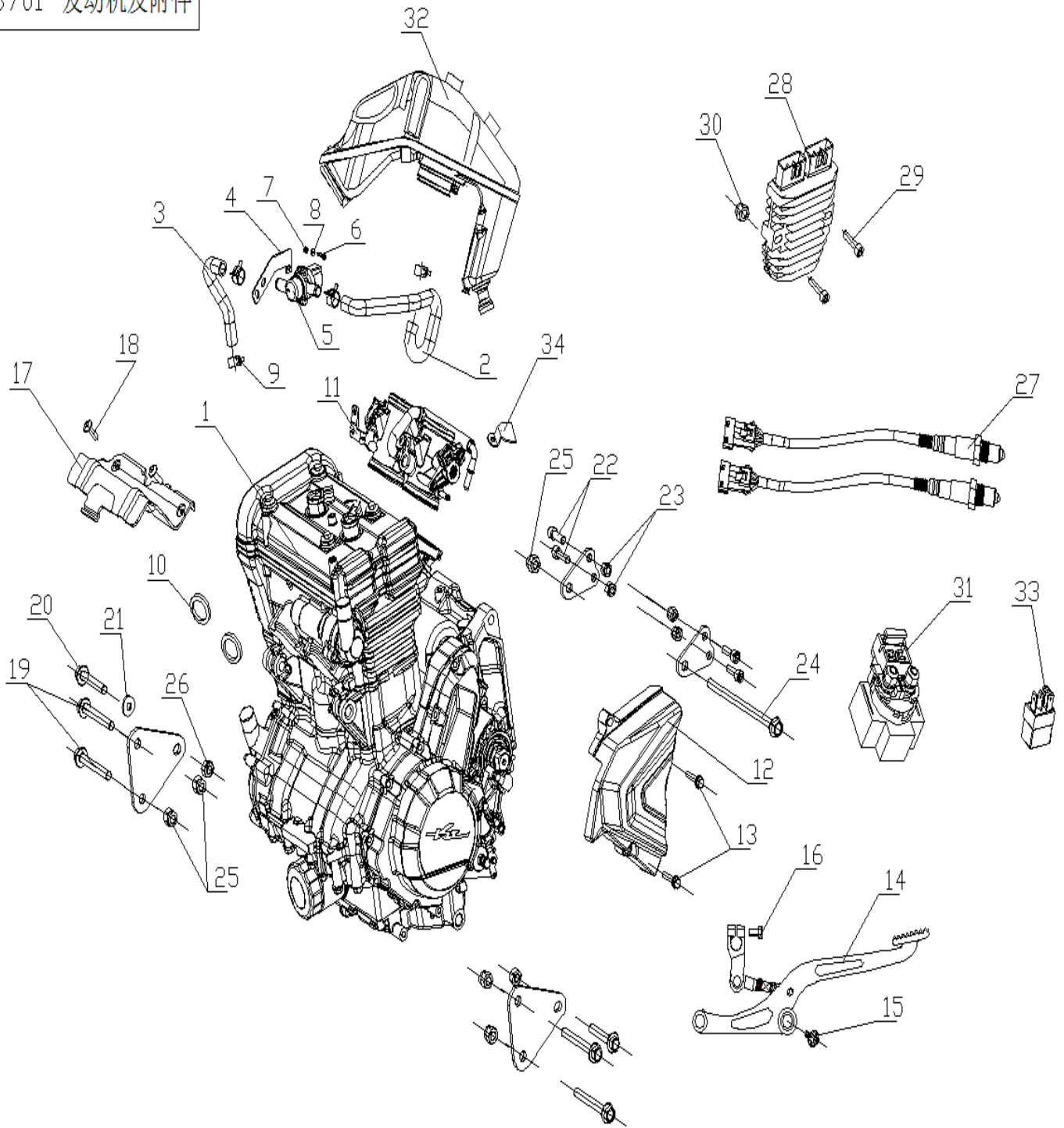
CHANGJIANG AUSTRALIA

Contents

37 01- ENGINE AND ACCESSORIES	2
37 02- OIL SUPPLY SYSTEM	4
37 03- EXHAUST SYSTEM	6
37 04- LIGHTING AND SIGNALLING SYSTEMS	8
37 07- ELECTRICAL SYSTEM	12
37 08- BRAKING SYSTEM	16
37 13- SEAT CUSHION	18
37 16- COOLING SYSTEM	20
37 31- FRAME ASSEMBLY	22
37 32- STEERING SYSTEM	24
37 33- REAR SUSPENSION ASSEMBLY	27
37 34- SIDE SUSPENSION ASSEMBLY	30
37 35- FRONT WHEEL ASSEMBLY	32
37 36- REAR WHEEL ASSEMBLY	33
37 37- SIDE WHEEL ASSEMBLY	35
37 38- FUEL EVAPORATION SYSTEM	36
37 40- PEDAL	37
37 41- SIDE BUCKET ASSEMBLY	38
37 42- SIDE BUCKET BUMPER WELDING COMPONENTS	42
37 43- SIDE BUCKET SHELF WELDING ASSEMBLY	44
37 44- SIDE BUCKET CONNECTOR	45
37 21- ON-BOARD ACCESSORIES	47

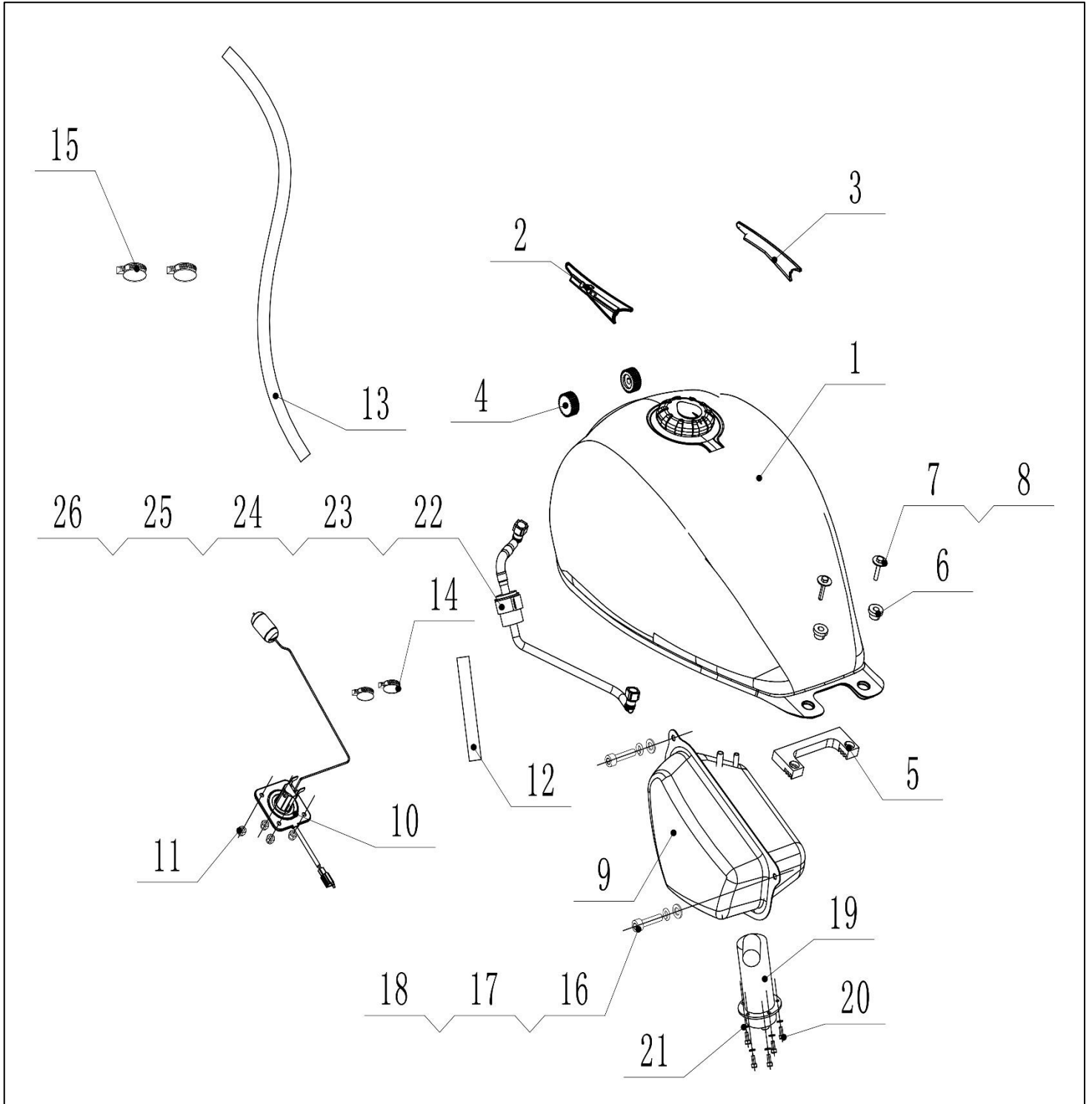
37 01- ENGINE AND ACCESSORIES

3701 发动机及附件



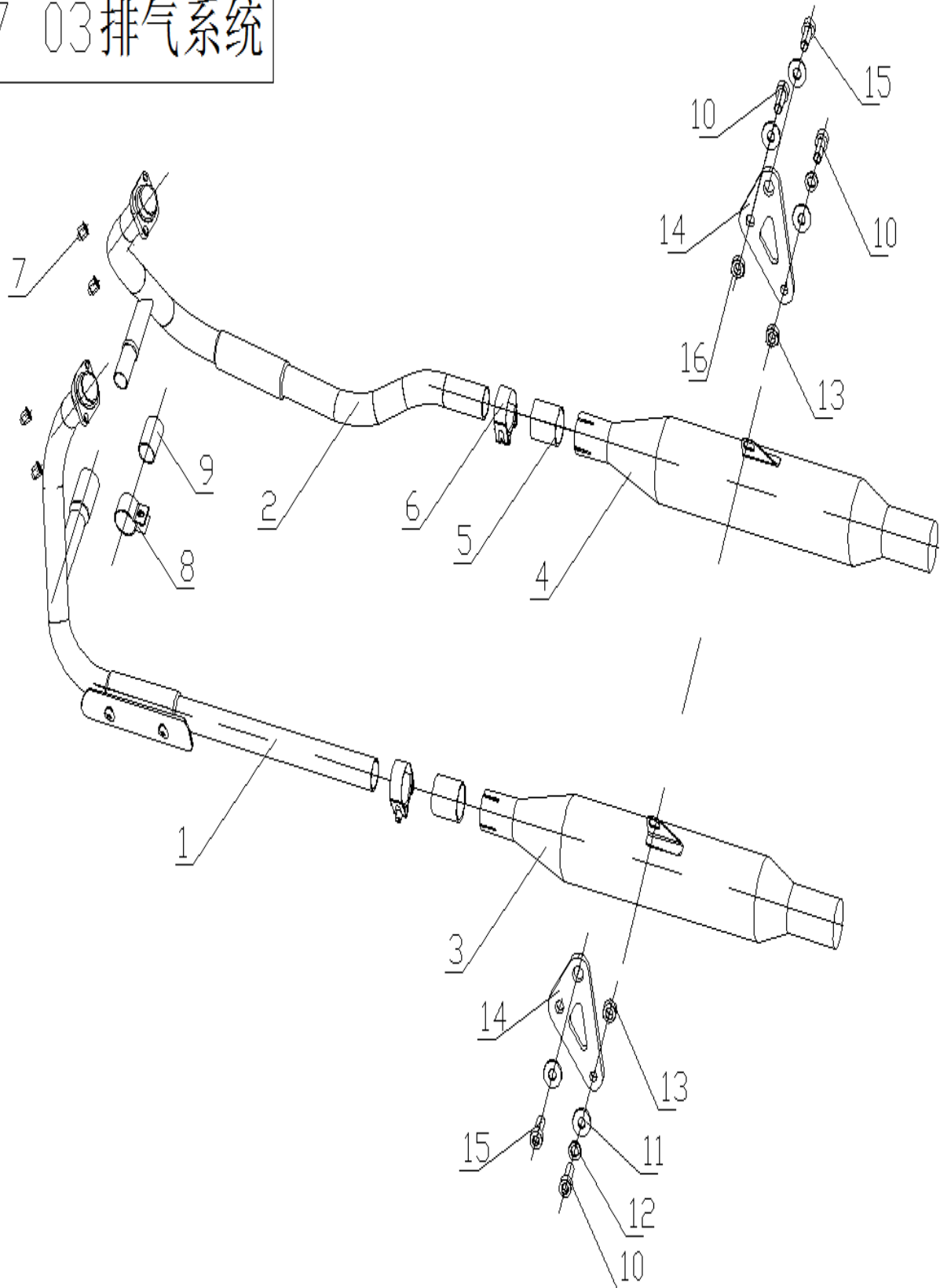
Item	Material number	English name	Unit usage
1	37011010CDC	Engine assembly (EURO v with reverse)	1
2	37011202CCC	Secondary air supply solenoid valve hose A	1
3	37011203CCC	Secondary air supply solenoid valve hose B	1
4	37310001B1C	Supplementary valve fixed bracket (EU v)	1
5	37011201CCC	Secondary air supply solenoid valve	1
6	37990060CCC	Hexagon socket head screws M5*25	1
7	37990040ACC	Hexagon flange nut M5 with all metal insert	1
8	37990057CCC	Flat mat 5	1
9	37011204CCC	Secondary air supply solenoid valve hose clamp	4
10	37011300CCC	Muffler liner	2
11	37010200CCC	Economizer valve oil rail assembly	1
12	37010300CCC	Engine left rear cover (reverse)	1
13	37990027CCC	Hexagon Flange bolts M6*35 (delivered)	2
14	37010800CCC	Gear change pedal Assembly (National 4)	1
15	37990160CCC	Hexagon socket large flat head with point screws M6*16	1
16	37990095CCC	Hex flange bolts M6*20	1
17	37010001CCC	Guide plate	1
18	37990169CCC	Socket hexagon flat round head screw M6*12	2
19	37990198CCC	Hexagon socket head screws 10*75*1.25	4
20	37990196CCC	Hexagon socket head screws 10*55	2
21	37990033CCC	Flat pad 10	2
22	37990001CCC	Hexagon socket head screws M8*25	4
23	37990029BCC	All-metal hexagon flange lock nut M8	4
24	37990006CCC	Hexagon flange bolts M10*170*1.25	2
25	37990035CCC	Hexagon nuts with flange (non-metallic insert) M10*1.25	6
26	37990201CCC	Hex nut M10*1.5	2
27	37010700CCC	Oxygen sensor	2
28	37010002CCC	Voltage regulating rectifier	1
29	37990002CCC	Hexagon socket head screw M6*35	2
30	37990030BCC	All-metal hexagon flange locking nut M6	2
31	37010004CCC	Starting relay	1
32	37011100CBC	Air Filter Assembly (v)	1
33	37010005CCC	Auxiliary relay	7
34	37011107CDC	Anti-tipping valve support (EU v)	1

37 02- OIL SUPPLY SYSTEM



Item	Material number	English name	Unit usage
1	37020100C1C	Main tank army green	1
2	37020301CAC	Tank left label (Chinese) red on white	1
3	37020302CAC	Oil tank right side sign (Chinese) red background white characters	1
4	37020001CCC	Tank front side cushion	2
5	37020002CCC	Rear fuel tank cushion	1
6	37020003CCC	Tank rear buffer sleeve	2
7	37990011CCC	Hexagon socket head screws M8*35	2
8	37990036CCC	Large round flat pad 8*24	2
9	37020200C1C	Drop tank military green	1
10	37020400CDC	Oil level sensor assembly	1
11	37990030CCC	Hexagon flange nuts with non-metallic insert M6	4
12	37020004CCC	Tank connection tubing	1
13	37020800CCC	Fuel tank connecting pipe	1
14	37020005CCC	Clamp 12	2
15	37020006CCC	Band 14	2
16	37990004CCC	Hexagon socket head screws M8*20	2
17	37990037CCC	Flat mat 8	2
18	37990117CCC	8 ball pad	2
19	37021000CCC	Fuel pump assembly	1
20	37990005CCC	Hexagon socket head screws M5*16	5
21	37990057CCC	Flat mat 5	5
22	37021101CCC	Quick connector	2
23	37021102CCC	Non-polar ring 14.5	4
24	37021103CCC	High pressure tubing assembly 1	1
25	37021104CCC	Electric injection fuel filter	1
26	37021105CCC	High pressure tubing assembly 2	1
1	3702010011C	The main fuel tank blazed with night ash	1
1	37020100C2C	Main tank Desert yellow	1
1	37020101CAC	Main fuel tank (Police version)	1
9	3702020011C	Night ash flares from auxiliary fuel tank	1
9	37020200C2C	Drop tank desert yellow	1
9	37020200C4C	Auxiliary fuel tank 曜 rock black	1

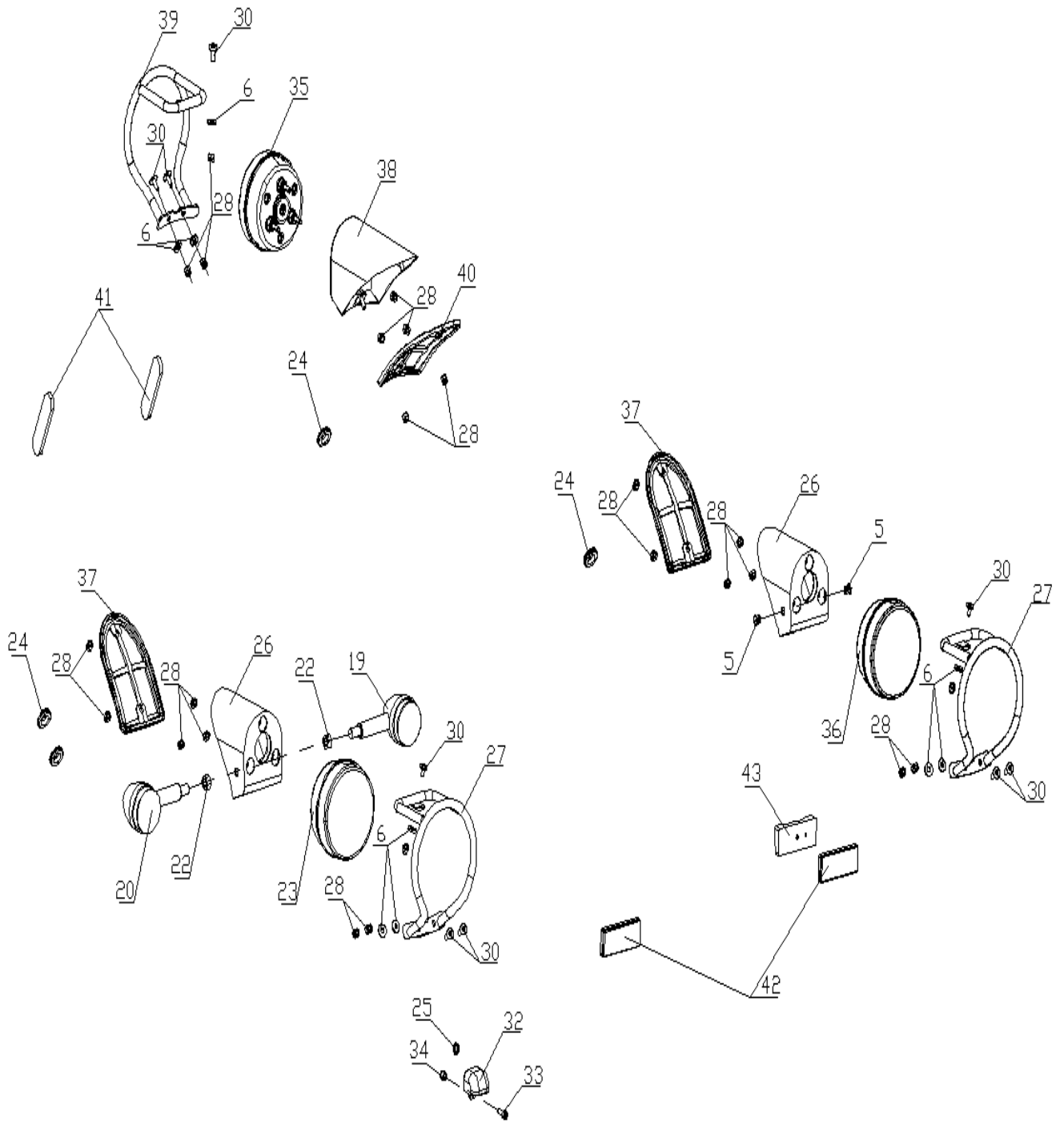
37 03 排气系统



Item	Material number	English name	Unit usage
1	37030201C5C	Left exhaust pipe welded assembly (EURO v right bucket) sub black torpedo	1
2	37030202C5C	Right exhaust pipe welded assembly (EURO v right bucket) sub black torpedo	1
3	37030203C5C	Left muffler main barrel assembly (EURO v right bucket) sub black torpedo	1
4	37030204C5C	Right muffler main barrel assembly (EURO v right bucket) Sub black torpedo	1
5	37030212CCC	Exhaust pipe gasket (rear) (delivered)	2
6	37030215CCC	Exhaust pipe clamp (back) (delivered)	2
7	37990032CCC	Cover nut M8*22	4
8	37030214CCC	Exhaust pipe clamp (front) (delivered)	1
9	37030213CCC	Exhaust pipe gasket (front) (delivered)	1
10	37990010CCC	Hexagon socket head screws M10*30	3
11	37990033CCC	Flat pad 10	4
12	37990034CCC	Spring washers 10	2
13	37990097BCC	Hexagon flange nut M10*1.5 with full metal insert	2
14	37030006CCC	Muffler hanging plate	2
15	37990003CCC	Hexagon socket head screws M10*20	2
16	37990097CCC	Hexagon nuts with flange, M10*1.5 (non-metallic insert)	1
1	37030400110	Left exhaust pipe welded assembly (OU V right bucket) stainless steel torpedo	1
2	37030400210	Right exhaust pipe welded assembly (OU V right bucket) stainless steel torpedo	1
3	37030400310	Left muffler main barrel assembly (OU V right bucket) stainless steel torpedo	1
4	37030400410	Right muffler main barrel assembly (OU V right bucket) stainless steel torpedo	1

37 04- LIGHTING AND SIGNALLING SYSTEMS

37 04 照明和信号系统

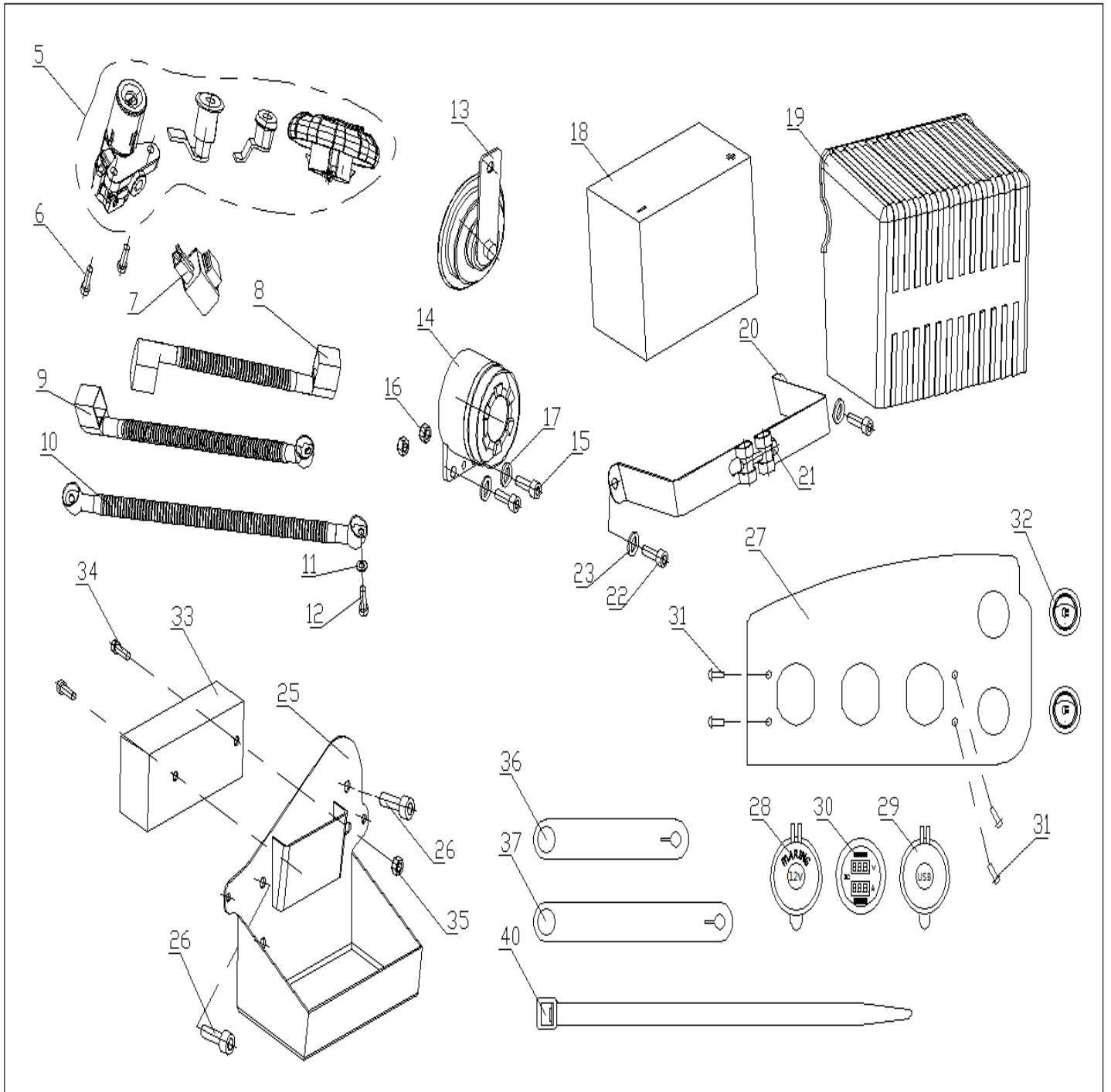


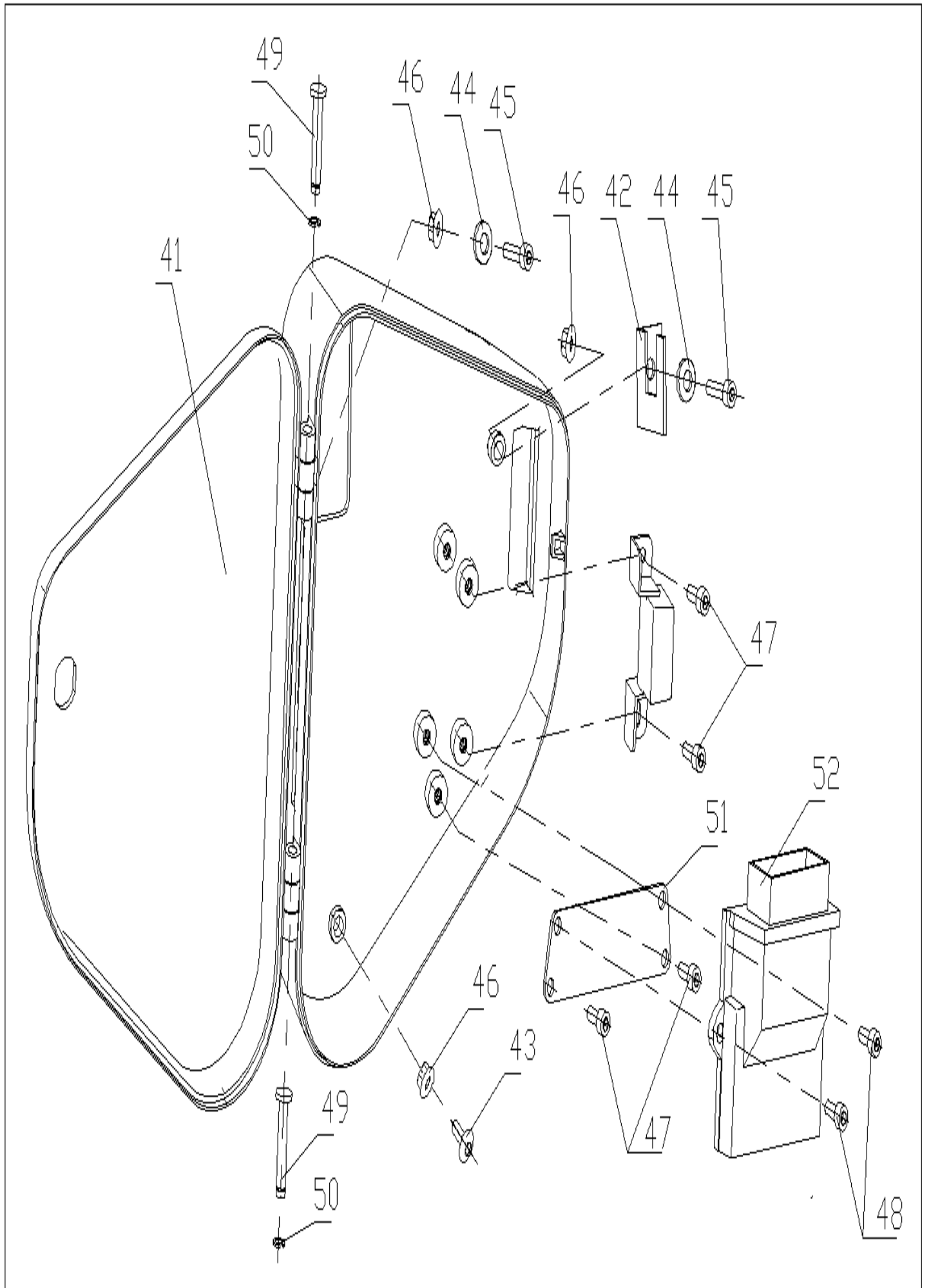
Item	Material number	English name	Unit usage
1	37040100CCC	headlamps	1
2	37040101C1C	Headlamp housing military green	1
3	37310400CAC	Headlamp bracket (left) (punching plate shape) military green	1
4	37310401C1C	Headlamp bracket (right) (punching plate shape) (three wheels) military green	1
5	37041500CCC	Plastic plug ϕ 10	4
6	3.934E+10	Nylon washer 6	2
7	37040102C1C	Headlight ring	1
8	37040103C1C	Well frame (outer opening)	2
9	37040103CBC	Well frame (inner opening)	2
10	37040104CCC	Hexagon socket head screws M12*40	2
11	37990087CCC	Flat pad 12 (small) ϕ 12* ϕ 20*2	2
12	37990038CCC	Countersunk head screw M5*10	4
13	37990021CCC	Hexagon socket flat round head screw M5*12	8
14	37990167CCC	Hexagon socket round head screw M6*16	2
15	37990031CCC	Flat pad 6	2
16	37990041CCC	Spring washers 6	2
17	37040106CCC	Headlamp fixing adhesive	4
18	37040107CCC	The lamp of ear pads	4
19	37040201CCC	Main vehicle turn signal combination (front left, rear right) sub-black	2
20	37040202CCC	Main vehicle turn signal combination (right front, left rear) sub-black	2
21	37990035BCC	Hexagon nuts with flange M10*1.25, all metal	2
22	37990059CCC	Hex nut M10*1.25	2
23	37040300CBC	Rear taillight (with backlight)	1
24	37040003CCC	Wire hole rubber ring (ϕ 20)	4

Item	Material number	English name	Unit usage
25	37040004CCC	Apron for wire hole of rear license plate light (φ10)	1
26	37040400C1C	Rear taillight lamp housing military green	2
27	37041101CCC	Lamp frame black	2
28	37990030CCC	Hexagon flange nuts with non-metallic insert M6	6
29	37990030CCC	Hexagon flange nuts with non-metallic insert M6	9
30	37990167CCC	Hexagon socket round head screw M6*16	9
31	37990030CCC	Hexagon flange nuts with non-metallic insert M6	6
32	37040500CCC	After the license plate lamp	1
33	37990005CCC	Hexagon socket head screws M5*16	1
34	37990040CCC	Hexagon flange nuts M5 with non-metallic insert	1
35	37040600CCC	Edge headlights	1
36	37041000CAC	Sidecar rear light (for National Iv only)	1
37	37040002CCC	Rear taillight housing rubber pad (side rear)	2
38	37041100C1C	Sidecar headlight housing army green	1
39	37041101CDC	Lamp guard frame (special for edge front) black	1
40	37040001CCC	Side bucket headlamp housing rubber pad	1
41	37040700CCC	Anterior reflector	2
42	37040900CCC	After the reflector	2
43	37040901CAC	Rubber block for sidecar rear reflector	1
44	37990030CCC	Hexagon flange nuts with non-metallic insert M6	1
45	37040801CBC	Instrument Assembly (for reverse gear car)	1
46	37040802CCC	Left turn indicator	1
47	37040803CCC	Right turn indicator light	1
48	37040804CCC	Neutral indicator light	1
49	37040805CCC	Fault indicator light	1
50	37040806CCC	Light indicator lamp	1
51	37040807CCC	Instrument fixed rubber ring	2

Item	Material number	English name	Unit usage
52	37040820CCC	Rubber pad for instrument mounting	1
53	37040809CCC	Instrument wiring harness (delivered)	1
54	37990030CCC	Hexagon flange nuts with non-metallic insert M6	2
55	37990112CCC	Pacific pad 6 * 18	2
56	37040811CCC	Instrument bushing (general purpose)	2
57	37040810CCC	Reset switch wire (delivered)	1
2	3704010120C	Headlamp housings glow with night ash	1
2	37040101C2C	Headlamp case desert yellow	1
2	37040101C4C	Headlamp housing 曜 rock black	1
3	373104003CC	Headlamp bracket (left) (punching plate shape) bright night ash	1
3	37310400CDC	Headlamp bracket (left) (punching plate shape) Desert yellow	1
3	37310400CHC	Headlamp bracket (left) (punching plate) 曜 rock black	1
4	373104004CC	Headlamp bracket (right) (punching plate shape) (three wheels) bright night ash	1
4	37310401C2C	Headlamp bracket (right) (punching plate shape) (three wheels) Desert yellow	1
4	37310401C4C	Headlamp bracket (right) (punching plate shape) (three wheels) 曜 rock black	1
19	37040201CAC	Main car turn signal combination (left front, right rear) plating	1
20	37040202CAC	Main car turn signal combination (right front, left rear) plating	1
26	3704040011C	The rear taillight housing shines with night ash	2
26	37040400C2C	Rear taillight lamp housing desert yellow	2
26	37040400C4C	Rear taillight lamp housing 曜 rock black	2
38	3704110011C	Sidecar headlamp housings shine with night ash	1
38	37041100C2C	Sidecar headlight housing desert yellow	1
38	37041100C4C	Sidecar headlight housing 曜 rock black	1

37 07- ELECTRICAL SYSTEM

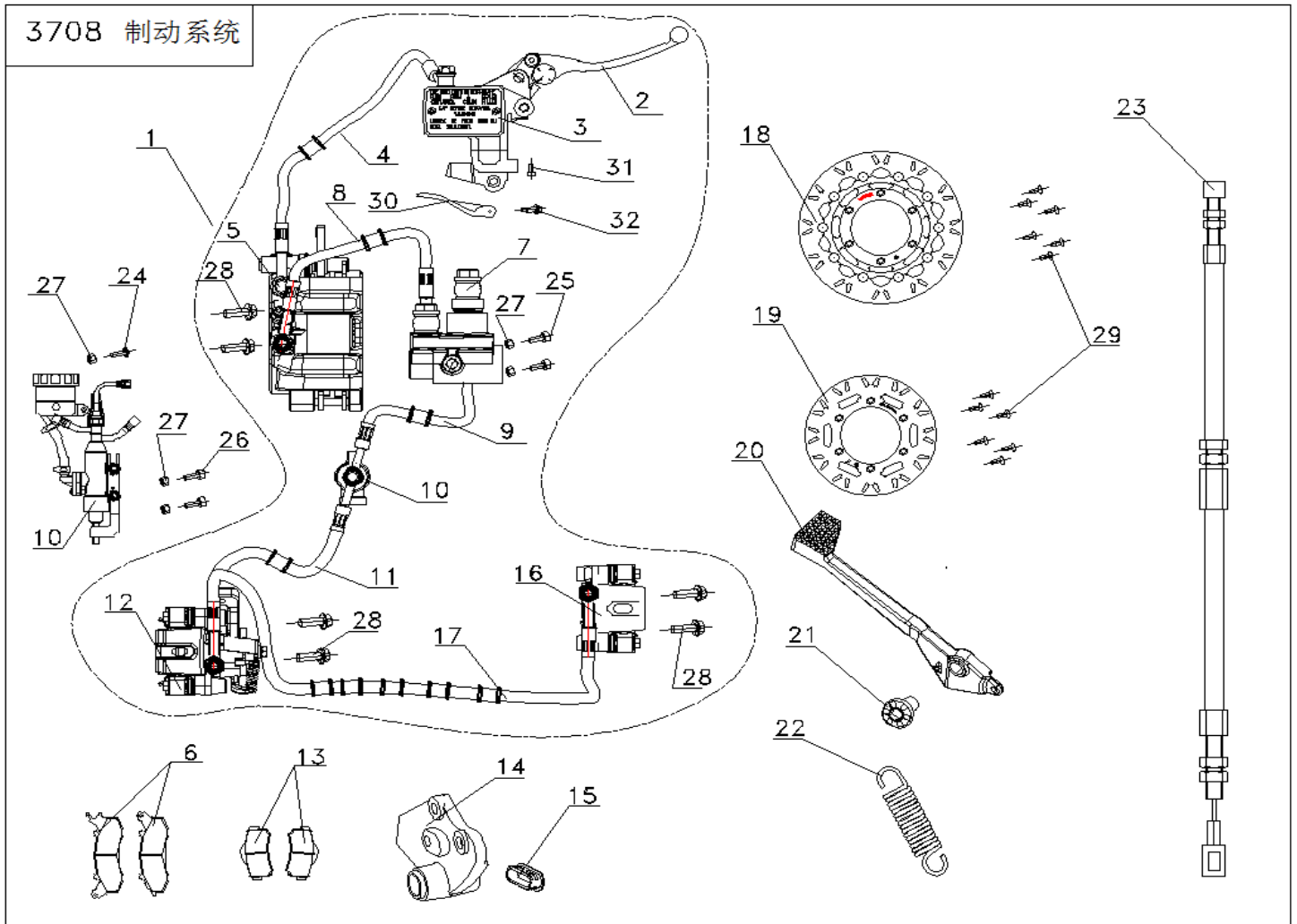




Item	Material number	English name	Unit usage
1	37070100CHC	Main cable (reverse v)	1
2	37070201CAC	Rear cable of main vehicle (gb 4 belt reverse)	1
3	37070202CBC	Sidecar auxiliary cable (with reversing horn)	1
4	37070203CCC	Electrical panel connection cable	1
5	37070300CCC	Lock assembly (including ignition switch, fuel tank cover, toolbox lock, side lock)	1
6	37990007CCC	Hexagon socket head screw M6*16	2
7	37070001CAC	Scintillator (Gb 4)	1
8	37070002CCC	Start positive relay line	1
9	37070003CCC	Positive line of starter motor	1
10	37070004CCC	Starting motor negative wire	1
11	37990009CCC	Hexagon socket head screw M6*12	1
12	37990041CCC	Spring washers 6	1
13	37070900CAC	The 12 v electric horn	1
14	37070900CBC	Reversing the horn	1
15	37990005CCC	Hexagon socket head screws M5*16	2
16	37990040CCC	Hexagon flange nuts M5 with non-metallic insert	2
17	37990057CCC	Gasket 5	2
18	37071000CCC	battery	1
19	37071100CCC	The battery case cover	1
20	37071102CAC	Battery case band	1
21	37320901CCC	Hexagon socket Head screws M6*30(stainless steel)	1
22	37990007CCC	Hexagon socket head screw M6*16	2
23	37990031CCC	Flat pad 6	2
24	37071104CCC	Foam single side adhesive	0.07
25	37310800CCC	The battery pack	1
26	37990004CCC	Hexagon socket head screws M8*20	2
27	37130003CCC	Electrical mounting plate	1
28	37071202CCC	Cigarette lighter	1
29	37071203CCC	The USB interface	1
30	37071204CCC	ammeter	1
31	37990020CCC	Cross recessed pan head screw M4*12	4
32	37071300CCC	Cylindrical 1 bit switch	2
33	39071600000	Relay waterproof jacket	1
34	37990005CCC	Hexagon socket head screws M5*16	2
35	37990040BCC	All-metal hexagon flange lock nut M5	1
36	37072000ACC	Rubber tie L=115	6
37	37071500CCC	Rubber tie L=80	6
38	37072100CCC	Winding pipe	0.5
39	37071400CCC	Cable rubber jacket	1
40	37071900CCC	Plastic cable tie	45
41	373901001CC	Electrical box military green	1
42	37390001CCC	Electrical stents	1

Item	Material number	English name	Unit usage
43	37990153CCC	Socket hexagon flat round head screw M6*20	1
44	37990112CCC	Pacific pad 6 * 18	2
45	37990024CCC	Hexagon socket head screw M6*25	2
46	37990030BCC	All-metal hexagon flange locking nut M6	3
47	37990122CCC	Hexagon socket head screws M5*10	4
48	37990023CCC	Hexagon socket head screws M5*12	2
49	37390002CCC	Electrical box pin 6*30(effective size)	2
50	37410024CCC	Circlip 5	2
51	37010601CCC	ECU mounting bracket (national Iv use)	1
52	37010600CCC	ECU	1
41	373901002CC	Electrical box Desert yellow	1
41	373901004CC	Electrical box 曜 rock black	1
41	37390110CCC	Electrical box bright night ash	1

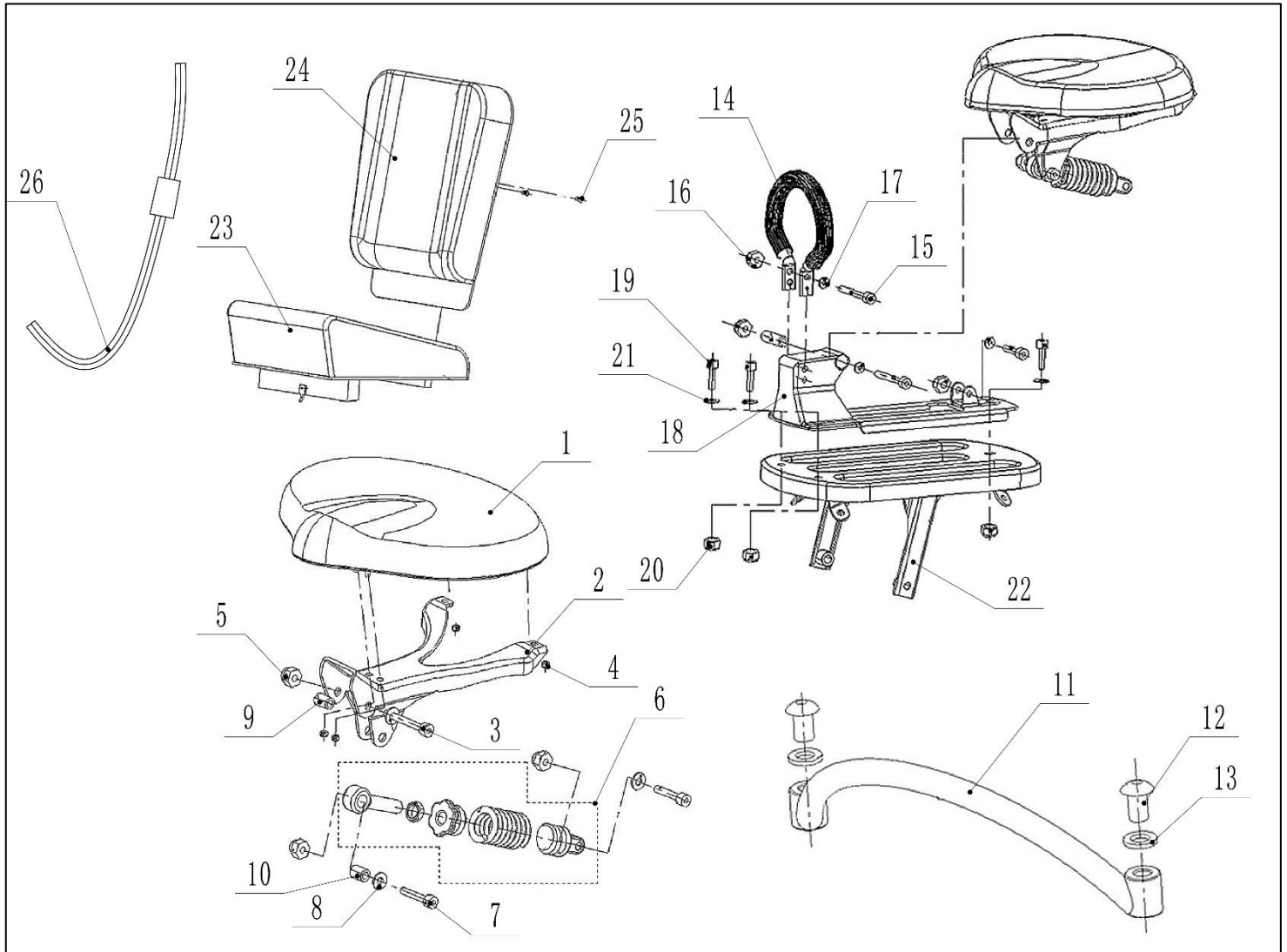
37 08- BRAKING SYSTEM



Item	Material number	English name	Unit usage
1	37081000CCC	Brake Assembly (side wheel)	1
2	37081101CCC	Right brake handle assembly	1
3	37081102CCC	Before the brake pump	1
4	37081105CCC	Front brake tubing (front brake pump - front brake clamp) 950	1
5	37081200CCC	Front brake calipers	1
6	37081201CCC	Front brake caliper brake pads	2
7	37081310CCC	Distribution of the body	1
8	51081320000	Distribution valve tubing front (front brake clamp - body) 1120	1
9	37081330CCC	Distribution valve tubing back (body - rear brake pump) 400	1
10	37081420CCC	After the brake pump	1
11	37081410CCC	Rear brake tubing (rear brake pump - rear brake clamp) 680	1
12	37081500CCC	Rear brake calipers	1
13	37081511CCC	Rear brake callipers brake pads	2

Item	Material number	English name	Unit usage
14	37081520CCC	Rear brake mounting plate	1
15	37081501CCC	Rubber plug	1
16	37081600CCC	Side brake callipers	1
17	37081620CCC	Side brake tubing (rear brake caliper - Side brake caliper) 1970	1
18	37082010CCC	Before the brake disc	1
19	37082020CCC	After the brake disc	2
20	37083010CCC	Rear brake pedal	1
21	37990163CCC	Hexagon socket large flat head with point screws M8*16	1
22	37083020CCC	Rear brake return spring	1
23	37084000CCC	Parking cable assembly	1
24	37990167CCC	Hexagon socket round head screw M6*16	1
25	37990153CCC	Socket hexagon flat round head screw M6*20	2
26	37990111CCC	Hexagon socket head screw M6*40	2
27	37990030BCC	All-metal hexagon flange locking nut M6	5
28	51080001000	Hex flange bolts M10*30*1.25	6
29	51080002000	Hexagon Socket Flat round head Step Bolt 8*20 (delivered)	18
30	37081107CCC	In the car handle	1
31	37990074CCC	Hexagon socket head screw M6*20	2
32	37990219CCC	Reverse handle bolt M8	2

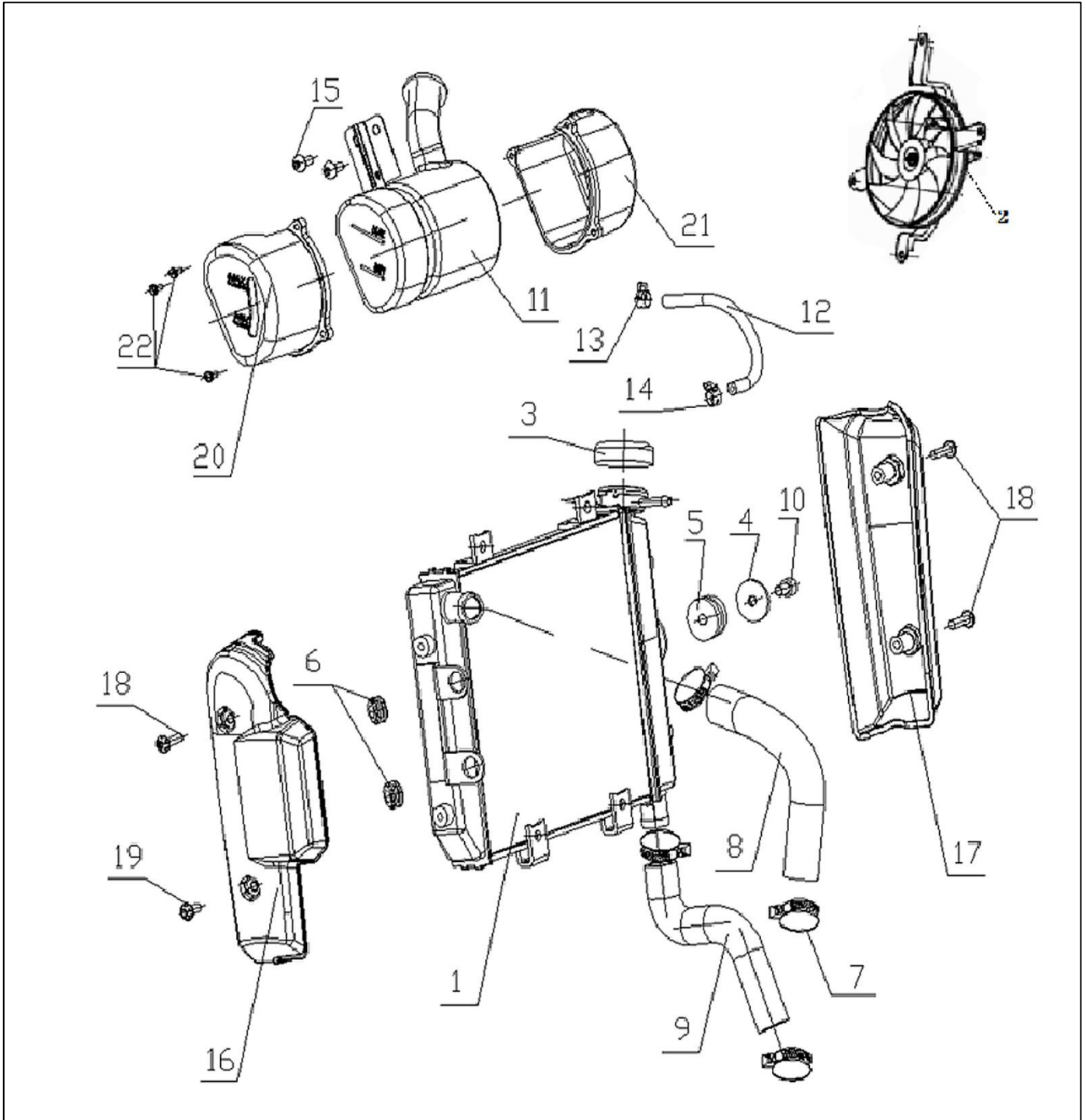
37 13- SEAT CUSHION



Item	Material number	English name	Unit usage
1	37130100CCC	Main car seat Cushion Assembly (three wheels old model black)	2
2	37130200CCC	Cushion mounting bracket with old cushion	2
3	37990154CCC	Hexagon socket head shoulder screws 10*56	2
4	37990030CCC	Hexagon flange nuts with non-metallic insert M6	8
5	37990032CCC	Cover nut M8*22	6
6	37130300CAC	Seat Cushion Damping Spring Assembly (60Si2Mn)	2
7	37990214CCC	Hexagon socket head shoulder screws 10*34	4
8	37990033CCC	Flat cushion 10(common for new cushion)	12

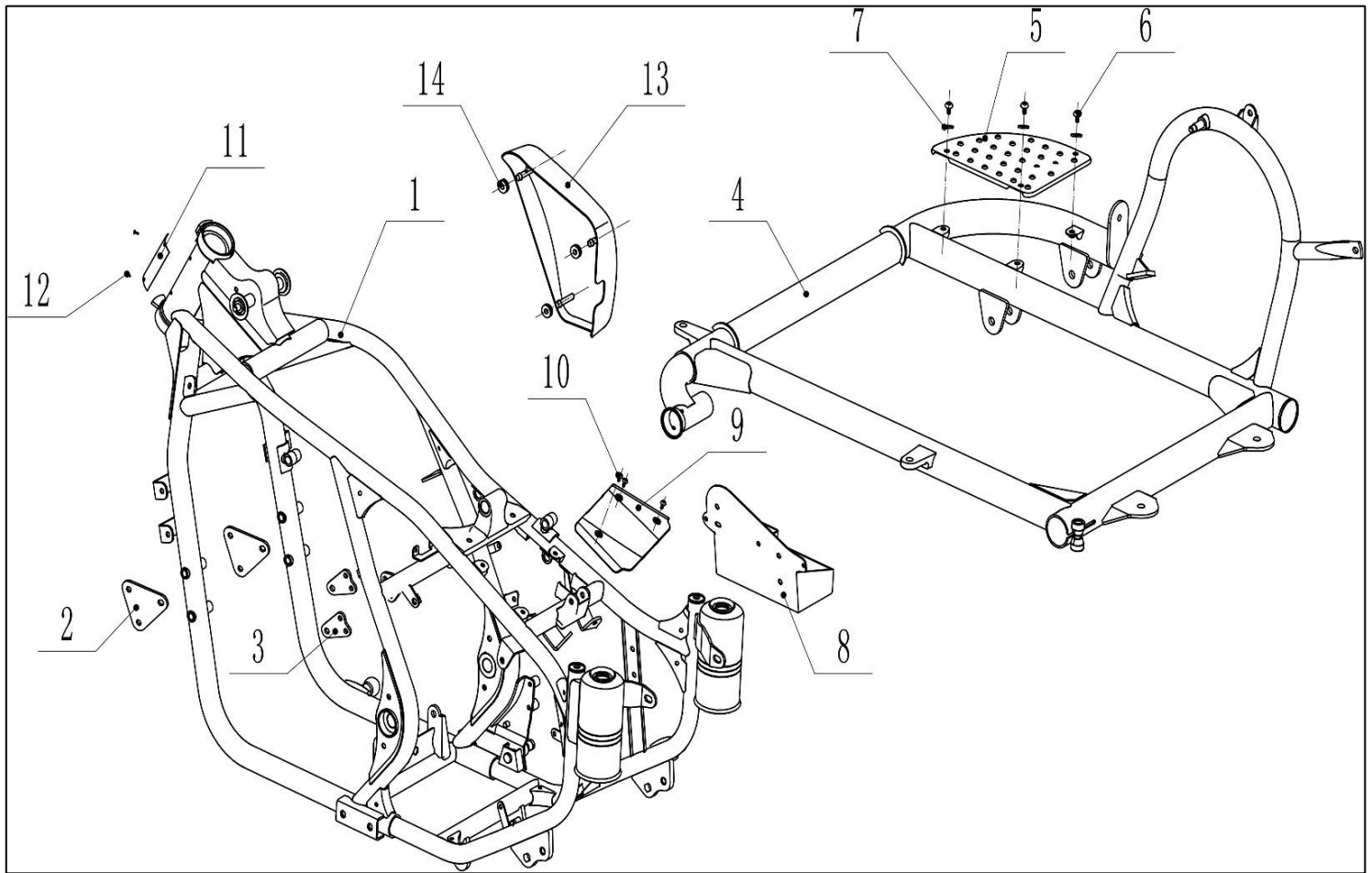
Item	Material number	English name	Unit usage
9	371303021CC	Front insert cover for main seat (for two-wheelers only)	2
10	371303031CC	Seat spring front insert cover (special for two wheelers)	2
11	37130802CCA	The handrail after	1
12	37990077CCC	Hexagon socket flat round head screw M10*50	2
13	37990082CCC	Flat pad 10 (stainless steel)	2
14	37130800CCC	Rear handrail (rubber)	1
15	37990014CCC	Hexagon socket head screws M8*65	1
16	37990032CCC	Cover nut M8*22	1
17	37990037CCC	Flat mat 8	2
18	37130900CCC	Rear handrail mounting bracket	1
19	37990004CCC	Hexagon socket head screws M8*20	3
20	37990029BCC	All-metal hexagon flange lock nut M8	3
21	37990037CCC	Flat mat 8	3
22	37130500BCC	Rear rack (CJ650B-2)	1
23	37130600CCC	Side seat cushion (black)	1
24	37130700CCC	Sidecar backrest (black)	1
25	37990007CCC	Hexagon socket head screw M6*16	2
26	39130300000	Seat belts	1

37 16- COOLING SYSTEM



Item	Material number	English name	Unit usage
1	39160300000	The radiator	1
2	37160200CCC	Fan motor assembly	1
3	37160101CCC	The radiator cap	1
4	37160301CCC	Tank right side bushing	1
5	37160304CCC	Right side rubber ring of water tank (large)	1
6	37160303CCC	Water tank left side apron (small) comes with its own	2
7	37160002CCC	Hoop B20-32	4
8	37160003CCC	Radiator inlet pipe	1
9	37160004CCC	Radiator outlet pipe	1
10	37990078CCC	Hexagon socket head screws M8*30	1
11	37160300CAC	Auxiliary water tank (new state)	1
12	37160302CAC	Auxiliary water tank overflow pipe (new state)	1
13	37160006CCC	Hoop 10	1
14	37160005CCC	Hoop 8	1
15	37990169CCC	Socket hexagon flat round head screw M6*12	2
16	39160100000	Left water tank cover (two wheels)	1
17	39160200000	Right water tank cover (two wheels)	1
18	37990205CCC	Hexagon socket large flat head with point screws M6*30	3
19	37990162CCC	Hexagon socket large flat head with point screws M6*20	1
20	39160401000	Left auxiliary water tank cover	1
21	39160402000	Right secondary water tank cover	1
22	37990152CCC	Cross recessed pan head tapping screws ST4.2*16	3

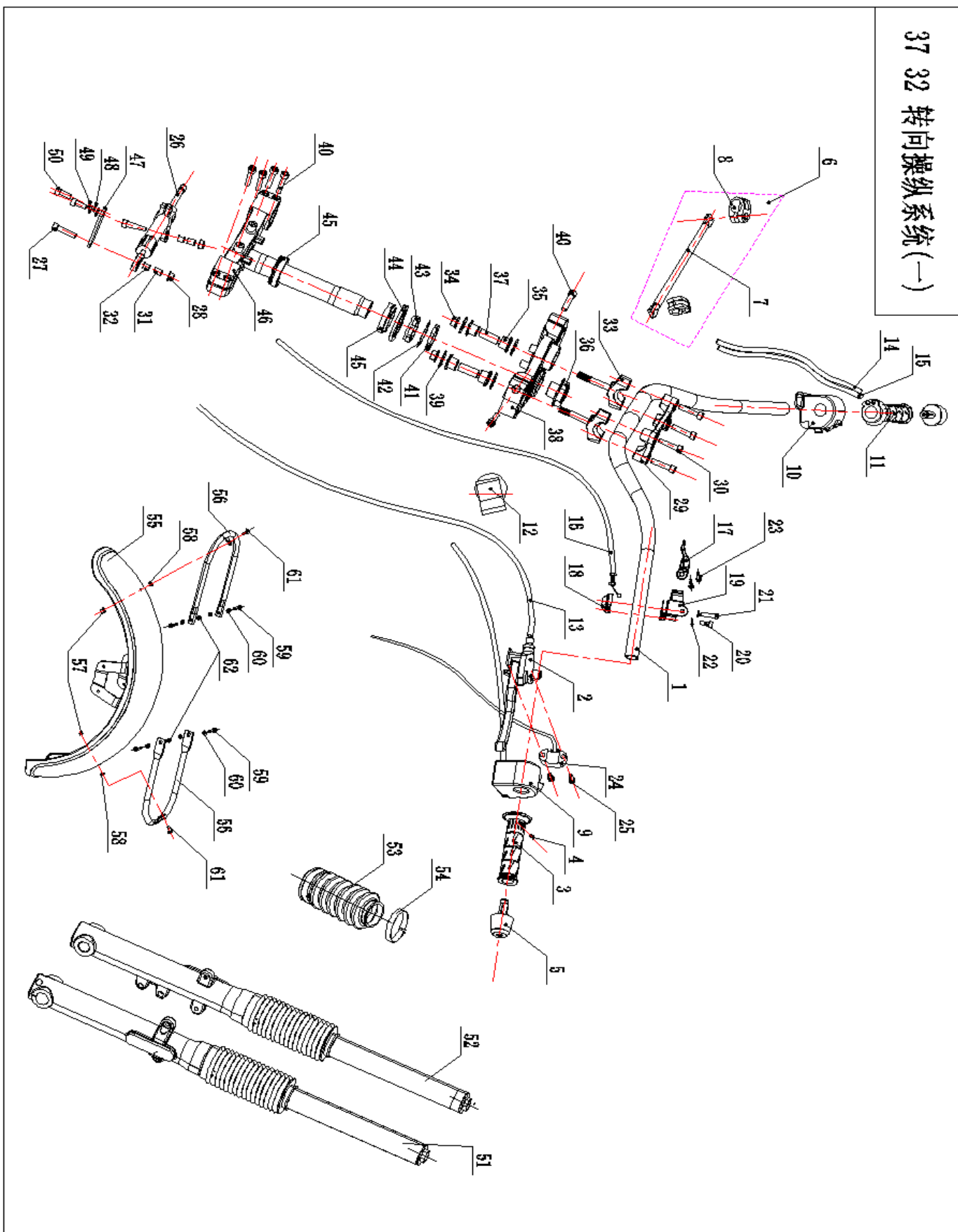
37 31- FRAME ASSEMBLY



Item	Material number	English name	Unit usage
1	37310100C1C	Main frame welded assembly	1
2	37310001CCC	Engine front mounting plate	2
3	37310003CCC	Engine rear small mounting plate	2
4	37310200CCC	Side frame welding assembly	1
5	37310900CCC	Step on the step	1
6	37990076CCC	Hexagon socket flat round head screw M8*16	3
7	37990116CCC	Flat pad 8 (stainless steel)	3
8	37310800CCC	The battery pack	1
9	37310304CCC	Cover plate	1
10	37990169CCC	Socket hexagon flat round head screw M6*12	3

Item	Material number	English name	Unit usage
11	37310009CHC	Frame nameplate (Eau V low)	1
12	37990026CCC	Rivet 3.2 * 11	2
13	37310010C1C	The right side of the cover	1
14	37310500CCC	Rubber ring	3

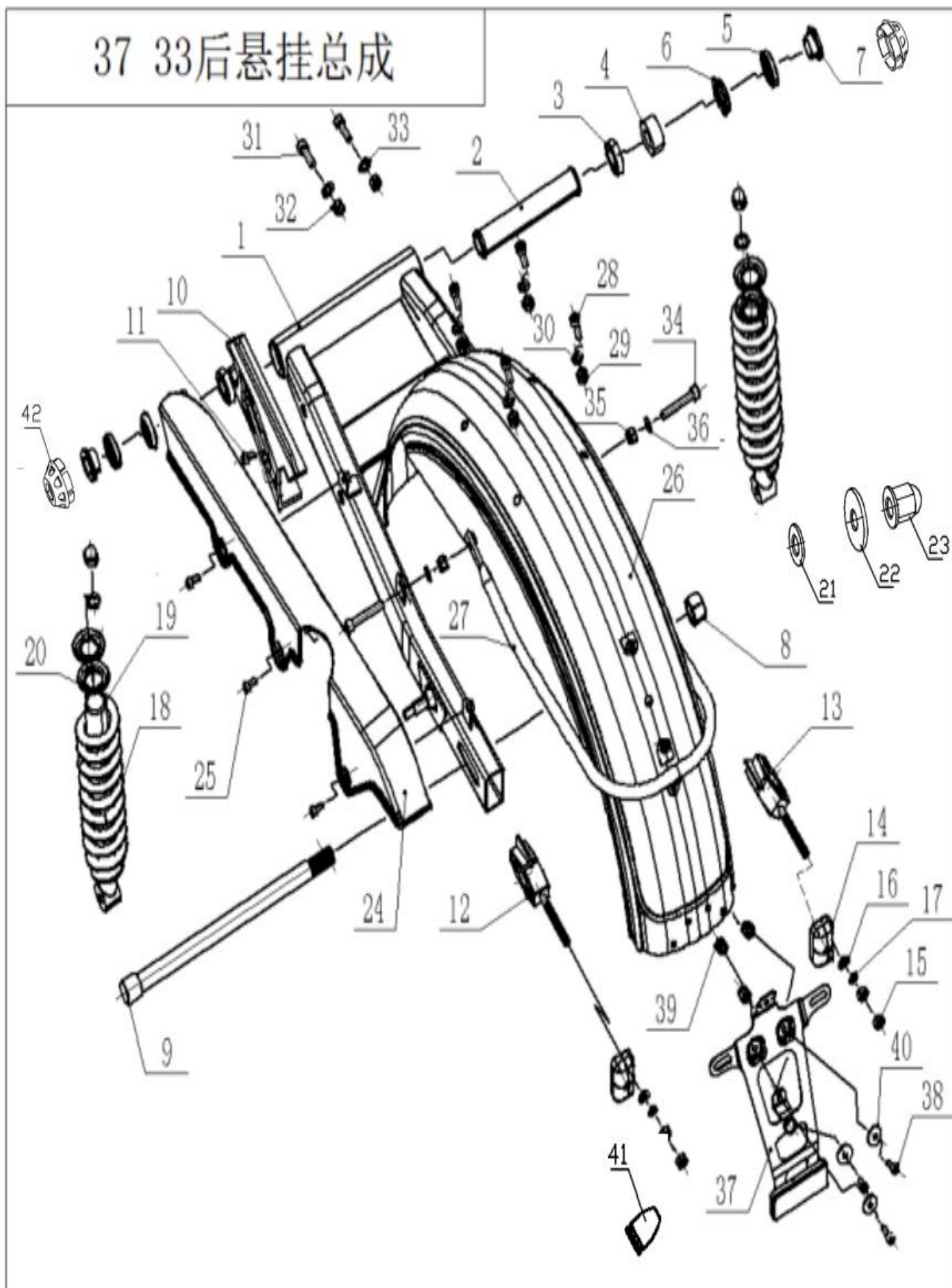
37 32 转向操纵系统(一)



Item	Material number	English name	Unit usage
1	37060100CCA	Handle tube (with two rounds of heated handle set) sand black	1
2	37060200CCC	Left clutch handle	1
3	37060300CAC	Left hand handle sleeve (electric heating)	1
4	37990125CCC	Set screw with cone end M4*12 (shipped)	1
5	37060400CCA	Balance block assembly sand black	2
6	37060500CCA	Handle connecting rod assembly sand black	1
9	37060600CCC	Left hand handle switch assembly	1
10	37060700CCC	Handle switch assembly with right hand	1
11	37061301CAC	Right hand handle cover (electric heating)	1
12	37060801CCC	Clutch cable clamp	1
13	37060800CCC	Clutch cable	1
14	37060900CCC	The throttle cable	1
15	37061000CCC	Adjustable throttle cable	1
16	37061402ACC	The reverse gear cable	1
17	37061401ACC	Reverse the handle	1
18	37061403ACC	Reverse lower bracket	1
19	37061404ACC	Reverse upper bracket	1
20	37990007CCC	Hexagon socket head screw M6*16	1
21	37990024CCC	Hexagon socket head screw M6*25	1
22	37990031CCC	Flat pad 6	2
23	37990219CCC	Reverse handle bolt M8	2
24	37061100CCC	Warning switch	1
25	37990007CCC	Hexagon socket head screw M6*16 (delivered)	2
26	37061200CCC	Steering damper (titanium ruler)	1
27	37990011CCC	Hexagon socket head screws M8*35	2
28	37990029BCC	All-metal hexagon flange lock nut M8	2
29	37320100CCA	Handle tube gland sand black	1
30	37990025CCC	Hexagon socket head screws M8*35	4
31	37320601CCC	Titanium ruler mounting bushing	2
32	37320602CCC	Titanium ruler mounting rubber pad	2
33	37320201CCA	Handle pipe support seat sand black	2
34	37990097CCC	Hexagon nuts with flange, M10*1.5 (non-metallic insert)	2
35	37320304CCC	Cushioning rubber for upper panel	4
36	37320303CCC	Tighten the screw cover of the upper plate	1
37	37320302CCC	Upper board liner	2
38	37320200CDC	Upper leadboard (new) sand black	1
39	37990051CCC	Flat pad 10*30*3 (without chamfering)	4
40	37990011CCC	Hexagon socket head screws M8*35	6
41	37320401CCC	Lock nut 1	1
42	37320402CCC	The gasket	1
43	37320403CCC	Lock nut 2	1
44	37320404CCC	Upper baffle ring dust cover	1
45	37320405CCC	Steering bearing assembly	2
46	37320500CDC	Lower panel combination	1
47	37320600CCC	Titanium ruler mounting plate	1

Item	Material number	English name	Unit usage
48	37990037CCC	Flat mat 8	2
49	37990117CCC	8 ball pad	2
50	37990004CCC	Hexagon socket head screws M8*20	2
51	37320701CCC	Left front shock absorber sub black	1
52	37320702CCC	Right front shock absorber sub black	1
53	37320002CCC	Dustproof bellows for front shock absorber	2
54	37320004CCC	Tighten the collar collar	2
55	37320800C1C	Front fender welded assembly military green	1
56	37320900CAC	Front fender front bracket	2
57	37990030CCC	Hexagon flange nuts with non-metallic insert M6	6
58	39340301000	Nylon washer 6	5
59	37320901CCC	Hexagon socket head screw M6*30	4
60	37990042CCC	Flat pad 6	4
61	37990167CCC	Hexagon socket round head screw M6*16	2
1	37060100CBC	Handle tube (with two rounds of heated handle sleeve)	1
5	37060400CAC	Balance block assembly	2
6	37061900CCC	Handle connecting rod assembly	1
7	37061901CCC	Handle connecting rod	1
8	37061902CCC	Handle connecting rod clamp	2
29	37320100CAC	Handle pipe gland	1
33	37320201CAC	Handle pipe support seat	2
38	37320200CAC	Upper board (new) silver white	1
55	3732080011C	Front fender welded assembly bright night ash	1
55	37320800C2C	Front fender welded assembly desert yellow	1
55	37320800C4C	Front fender welded assembly 曜 rock black	1

37 33- REAR SUSPENSION ASSEMBLY



Item	Material number	English name	Unit usage
1	51310300010	Rear fork welding assembly	1
2	37330102CCC	The rear fork is lined with pipe	1
3	37330104CCC	Rolling bearing (61904)	2
4	37330103CCC	Needle roller bearing (NA4904)	2
5	37330105CCC	Oil seal (25 * 37 * 7)	2
6	37330106CCC	Holes with elastic retainer 37	2
7	37330107CCC	Bushing (back flat fork)	2
8	39331200040	Rear fork shaft nut M18*1.5	1
9	39331100040	After the fork shaft M18 * 328 * 1.5	1
10	37330003CCC	The chain sheath	1
11	37990167CCC	Hexagon socket round head screw M6*16	1
12	37330301CCC	Left chain regulator	1
13	37330302CCC	Right chain regulator	1
14	37330303CCC	Chain regulator baffle	2
15	37990049CCC	Hex nut M8	4
16	37990117CCC	8 ball pad	2
17	37990037CCC	Flat mat 8	2
18	37330600CCC	Rear shock absorber sub-black (spring)	2
19	37330600CBC	Rear shock absorber sub black (core)	2
20	37990083CCA	Rear axle flat pad 20*37*3	2
21	37990079CCC	Flat mat 12 * 24 * 2	2
22	37990114CCC	Flat pad 10*30 (with chamfering)	2
23	37990113CCC	Cover nut M10*1.25	2
24	37330400CCC	Chain cover	1
25	37990169CCC	Socket hexagon flat round head screw M6*12	3
26	37330500C1C	Rear fender welded assembly	1
27	37330700C1C	Rear fender support	1
28	37990001CCC	Hexagon socket head screws M8*25	4
29	37990029CCC	Hexagon nuts with flange, M8 (non-metallic insert)	4
30	37990037CCC	Flat mat 8	4
31	37990001CCC	Hexagon socket head screws M8*25	2
32	37990029CCC	Hexagon nuts with flange, M8 (non-metallic insert)	2
33	37990037CCC	Flat mat 8	2
34	37990013CCC	Hexagon socket head screws M8*50	2

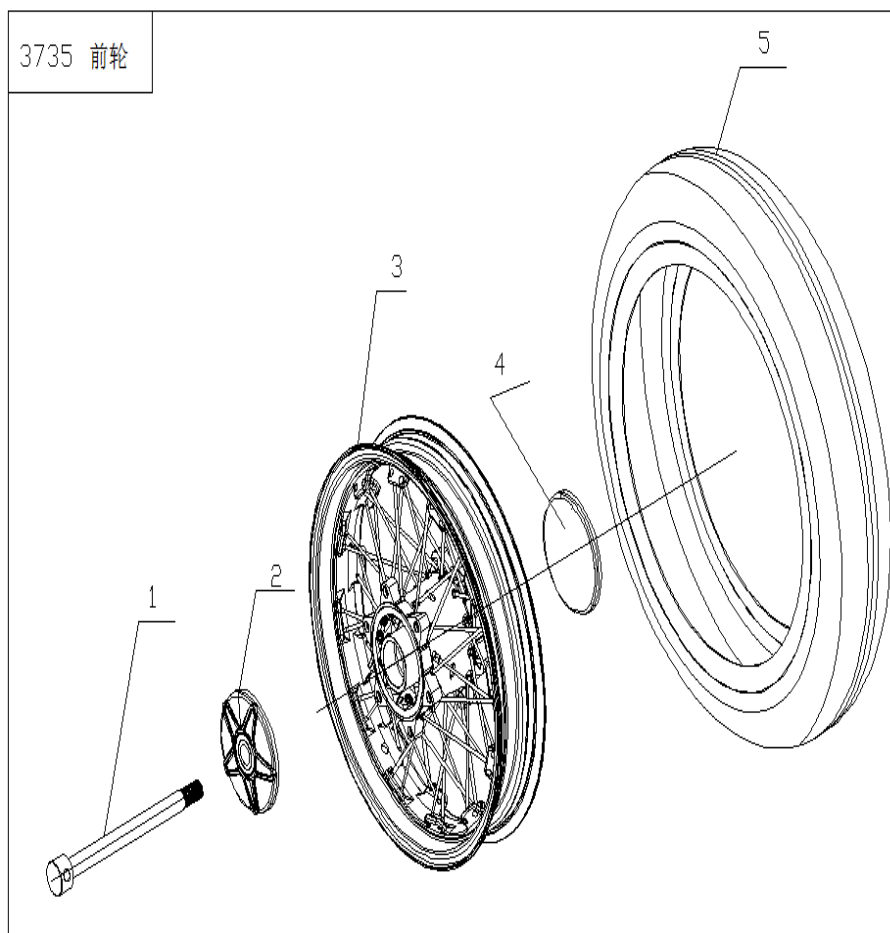
Item	Material number	English name	Unit usage
35	37990029CCC	Hexagon nuts with flange, M8 (non-metallic insert)	2
36	37990037CCC	Flat mat 8	2
37	37330800CCC	Licence holder	1
38	37990167CCC	Hexagon socket round head screw M6*16	4
39	37990030CCC	Hexagon flange nuts with non-metallic insert M6	4
40	39340301000	Nylon washer 6	4
41	37330801CCC	Plate damping pad	1
42	37330006CCC	Rear fork shaft hole cover	2
43	39340302000	Nylon cushion 8	6
28	3733050011C	Rear fender welded assembly bright night ash	1
28	37330500C2C	Rear fender welded assembly desert yellow	1
28	37330500C4C	Rear fender welded assembly 曜 rock black	1

37 34- SIDE SUSPENSION ASSEMBLY

NO IMAGE

Item	Material number	English name	Unit usage
1	373401001CC	Side shaker welding assembly	1
2	37340001CCC	Side cradle cushion sleeve (front)	2
3	37990052CCC	Hexagon flange bolts M12*70	2
4	37990085CCC	Hexagon nuts with flange (non-metallic insert) M12*1.75	2
5	37340200CCC	Edge shock absorber	1
6	37990114CCC	Flat pad 10*30 (with chamfering)	1
7	37990113CCC	Cover nut M10*1.25	1
8	37990054CCC	Hex flange bolts M10*1.25*45	1
9	37990035CCC	Hexagon nuts with flange (non-metallic insert) M10*1.25	1
10	37340002CCC	Side cradle cushion sleeve (rear)	1
11	373403001CC	Side wheel fender welding assembly	1
12	37990078CCC	Hexagon socket head screws M8*30	1
13	37990117CCC	8 ball pad	3
14	37990230CCC	Hexagon socket countersunk head screw M8*25	2
15	37990037CCC	Flat mat 8	1
16	37990029CCC	Hexagon nuts with flange, M8 (non-metallic insert)	1
17	37990032CCC	Cover nut M8*22	2
18	3.934E+10	Nylon washer 8	2
19	37340004CCC	Main support buffer rubber block	1
20	37990029CCC	Hexagon nuts with flange, M8 (non-metallic insert)	1
11	373403002CC	Side wheel fender welding assembly desert yellow	1
11	373403011CC	Side wheel fender welded assembly bright night ash	1
11	373403004CC	Side wheel fender welded assembly 曜 rock black	1

37 35- FRONT WHEEL ASSEMBLY



Item	Material number	English name	Unit usage
1	39350500040	Front axle	1
2	39350300CCC	Left front end cover	1
3	37350100CGC	Rim assembly 2.75*18	1
4	39350400CCC	Right front end cover	1
5	37350201CFC	External tyre 4.10-18 TS829 4PRTL	1
5	37350201CGC	External tyre 4.10-18 TS715 6PRTL	1

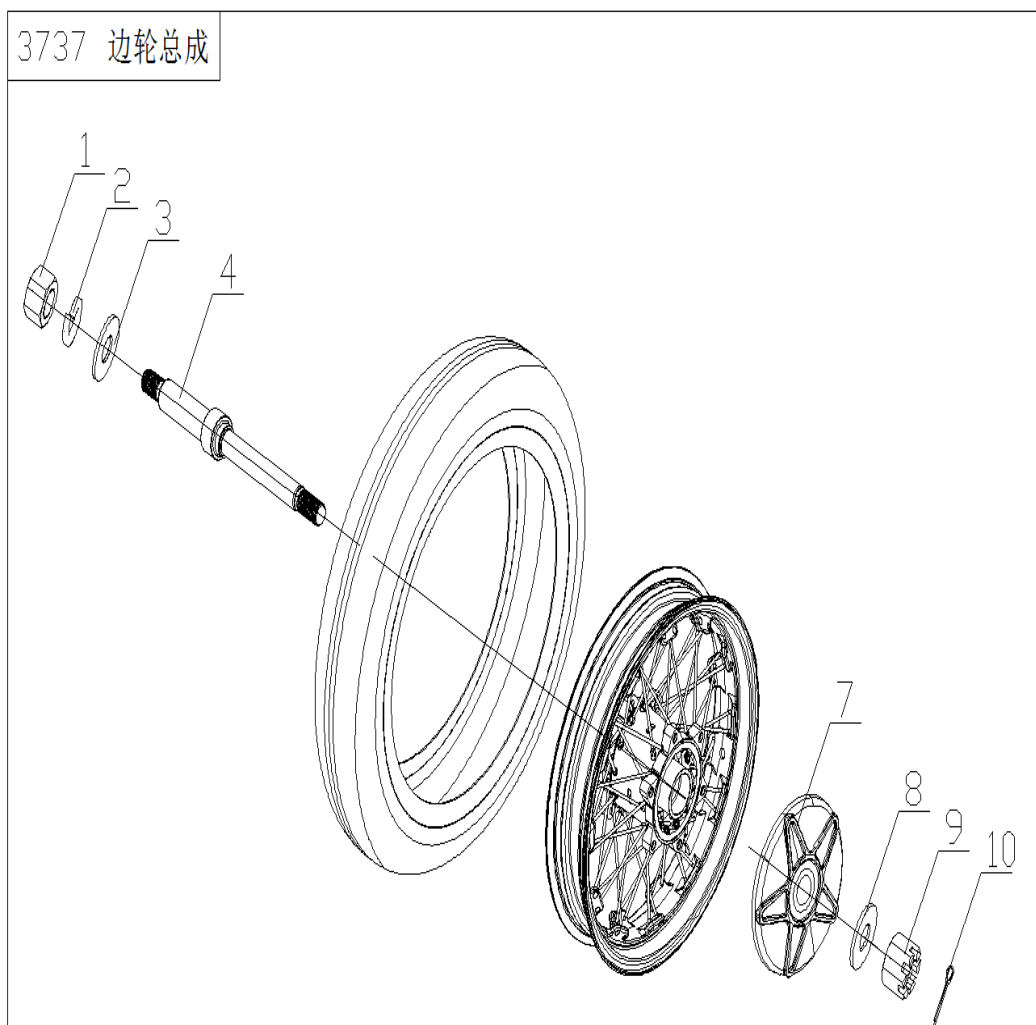
37 36- REAR WHEEL ASSEMBLY

NO IMAGE

Item	Material number	English name	Unit usage
1	37350100CGC	Rim assembly 2.75*18 vacuum spokes	1
2	37350201CFC	External tyre 4.10-18 TS829 4PRTL	1
3	37360100CCC	The buffer body	1
4	37360001CCC	Buffer sleeve 1 (short)	1
5	37360010CCC	Buffer body sleeve 2 (long)	1
6	37360002CDC	After the sprocket	1
7	37360003CCC	Buffer block	6
8	37350004CCC	Rolling bearing 6205	1
9	37350005CCC	52 * 35 * 8 oil seal	1

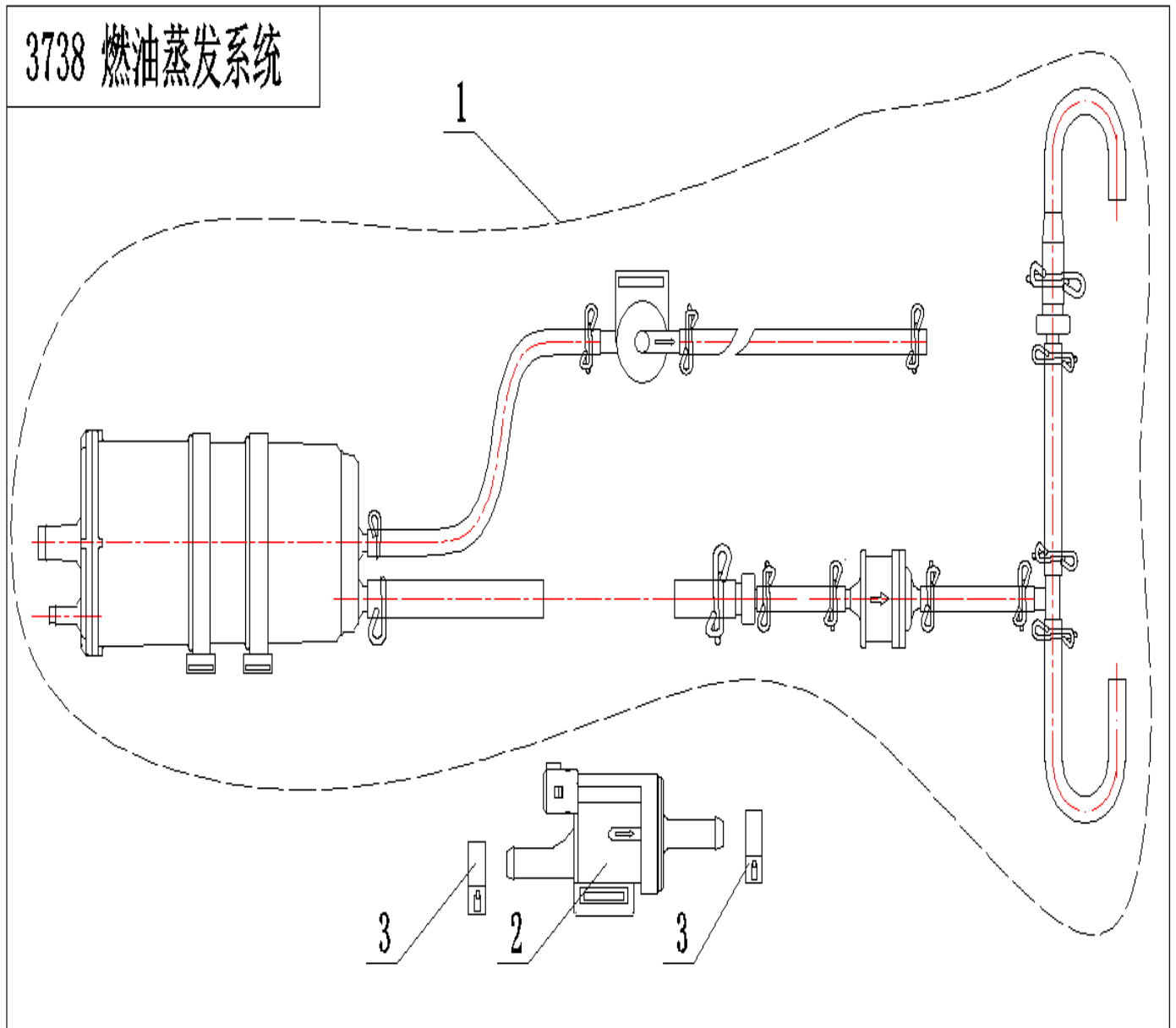
Item	Material number	English name	Unit usage
10	37990046CCA	3.2 * 30 split pin	1
11	37990047CCC	Hexagon socket countersunk head bolt M8*40	6
12	37990029CCC	Hexagon nuts with flange, M8 (non-metallic insert)	6
13	39360100040	Rear axle 18*1.5 (including flat pad and nut)	1
14	37360000CAC	Drive chain (new state)	1
2	37350201CGC	External tyre 4.10-18 TS715 6PRTL	1

37 37- SIDE WHEEL ASSEMBLY



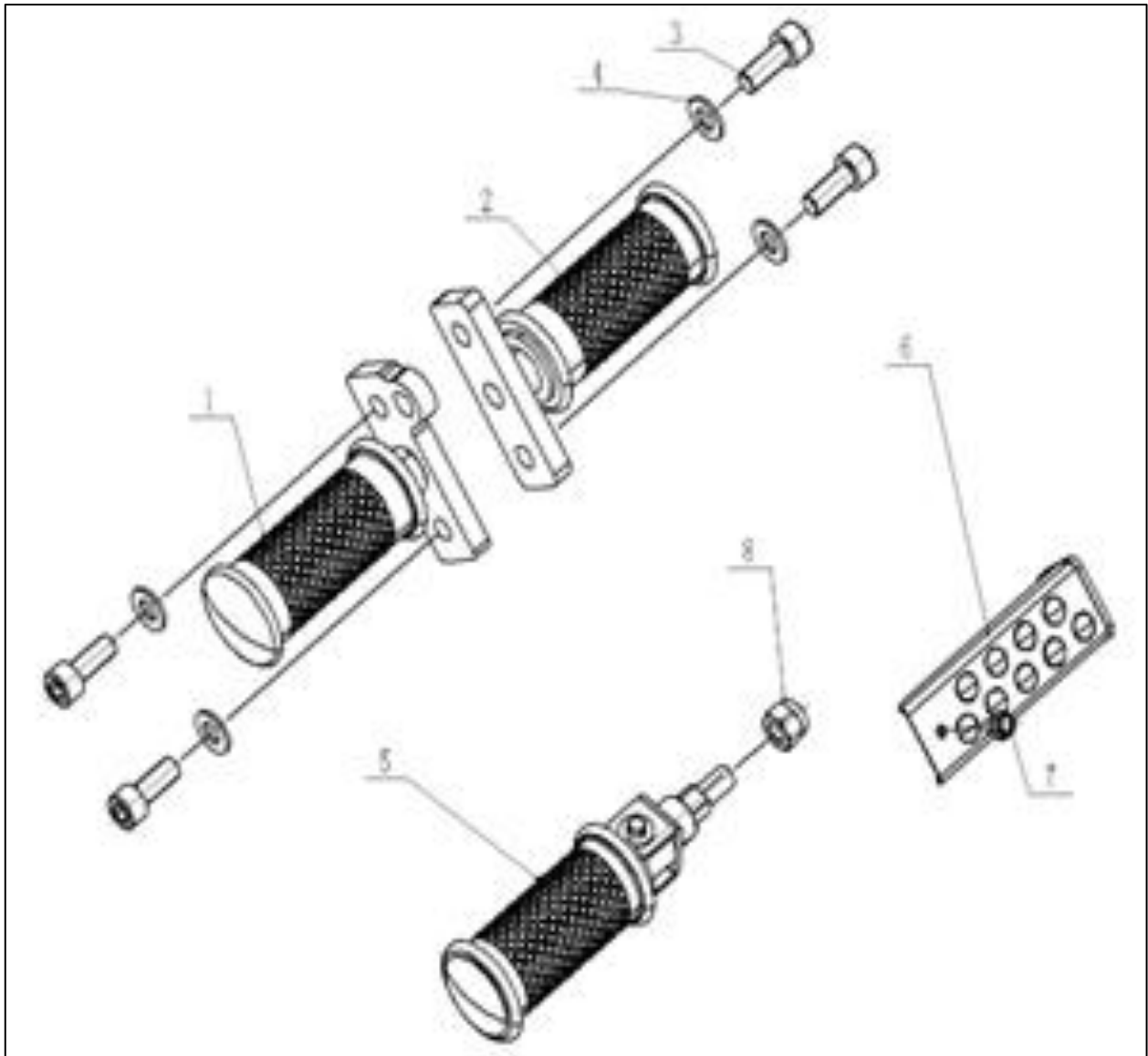
Item	Material number	English name	Unit usage	Dealer Price (AUD)
1	39370100042	Side wheel shaft M18X1.5 (including nut and gasket)	1	62.66
2	37990161CCC	Slotted nut M18x1.5	1	2.43
3	37990119CCA	Hexagon nut M18x1.5	1	1.68
4	37990120CCA	Flat pad 18(Grade A)	1	0.54
5	37990120CCA	Flat pad 18(Grade A)	1	0.54
6	37990121CCA	Spring washers 18	1	0.27
7	37990046CCA	Cotter pin 3.2 x	1	0.19
8	37350100CGC	Rim assembly 2.75*18	1	587.07
9	37350201CFC	External tyre 4.10-18 TS829 4PRTL	1	161.70
10	39350300CCC	Left front end cover	1	18.02
9	37350201CGC	External tyre 4.10-18 TS715 6PRTL	1	161.70

37 38- FUEL EVAPORATION SYSTEM



Item	Material number	English name	Unit usage
1	37380100CBC	Carbon tank assembly v	1
2	37380201CCC	Carbon tank solenoid valve	1
3	37380204CCC	Carbon tank solenoid valve hose clamp	1

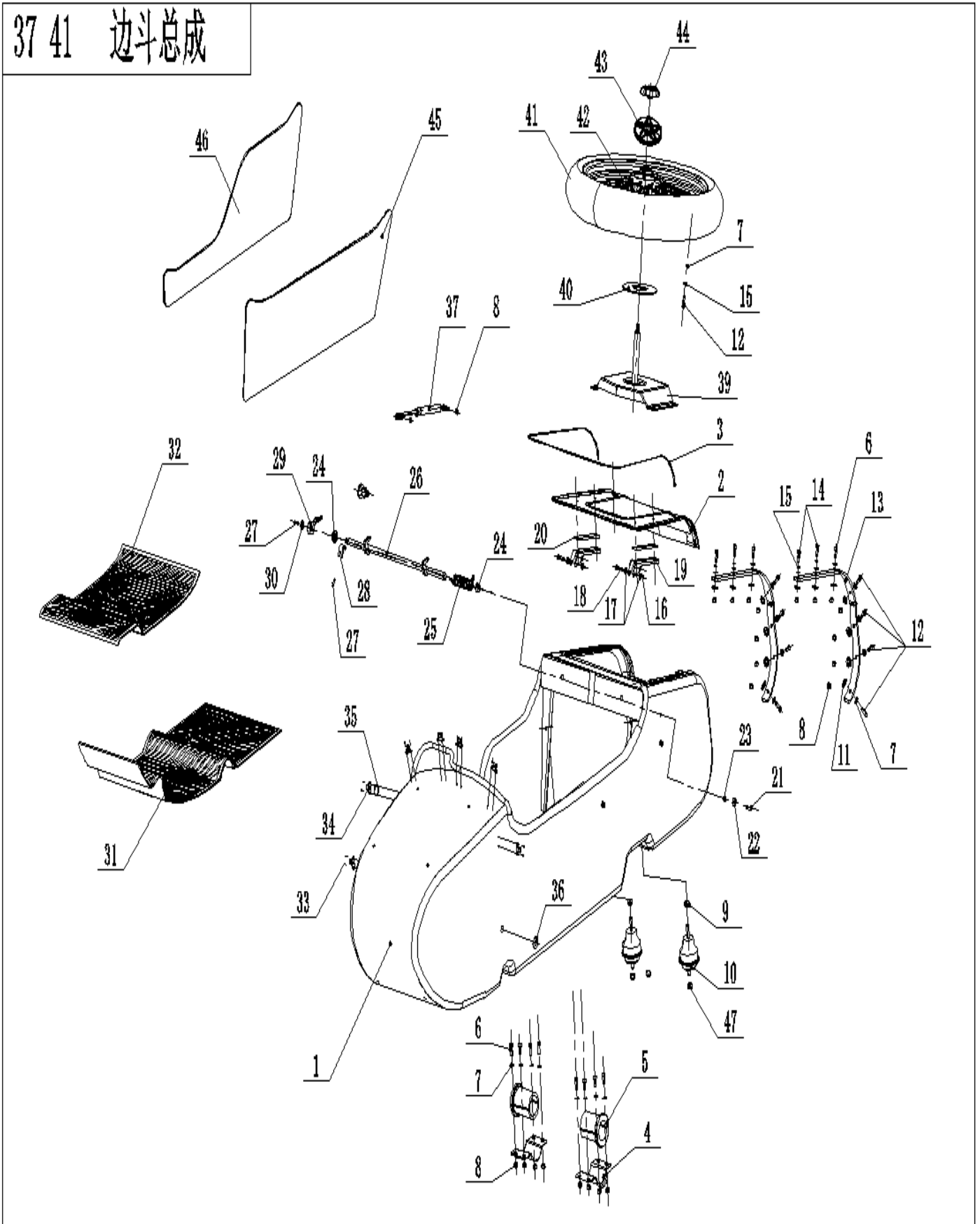
37 40- PEDAL



Item	Material number	English name	Unit usage
1	37400100CCC	Left foot peg	1
2	37400200CCC	Right foot peg	1
3	37990096CCC	Hexagon socket head screws M10*25	4
4	37990033CCC	Flat pad 10	4
5	37400300CCC	Passenger left foot peg	1
6	37400400CCC	Passenger right foot peg	1
7	37990055CCC	Hexagon flange bolts M5*12	1
8	37990035CCD	Hexagon nuts with flange (non-metallic insert) M10*1.25	1

37 41- SIDE BUCKET ASSEMBLY

37 41 边斗总成

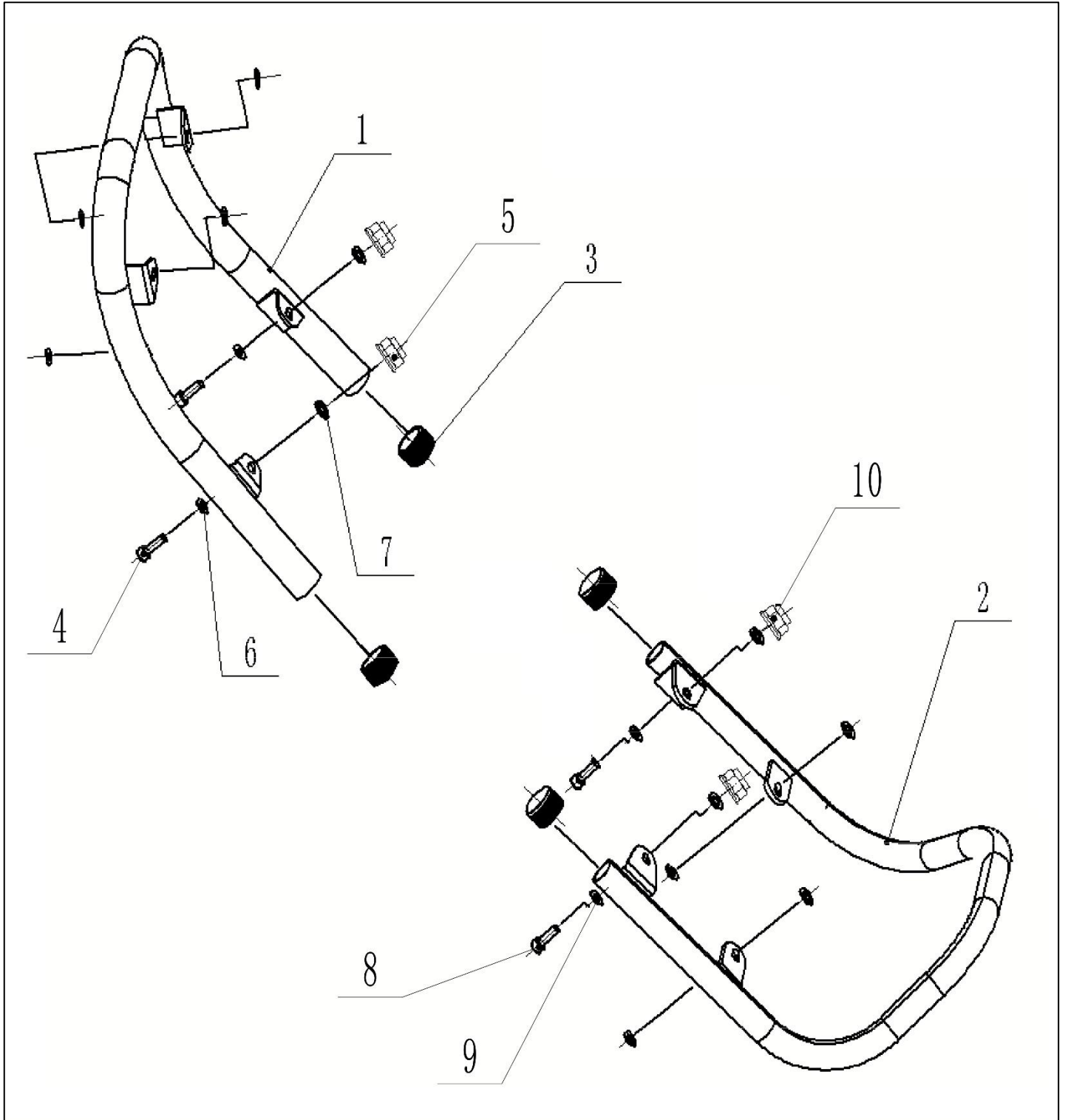


Item	Material number	English name	Unit usage
1	374101001CC	Side bucket welded assembly military green	1
2	374102001CC	Side bucket back cover military green	1
3	37410001CCC	Side bucket sealing strip 7*4	1
4	37410000CCC	Side bucket semi-circular splint	2
5	37410003CCC	Side hopper front buffer apron	4
6	37990001CCC	Hexagon socket head screws M8*25	8
7	37990037CCC	Flat mat 8	23
8	37990029CCC	Hexagon nuts with flange, M8 (non-metallic insert)	24
9	37990097CCC	Hexagon nuts with flange, M10*1.5 (non-metallic insert)	2
10	37410002CCC	Install fulcrum rubber block (automotive engine damping rubber block)	2
11	3.934E+10	Nylon cushion 8	14
12	37990004CCC	Hexagon socket head screws M8*20	8
13	37411100CCA	Sidecar straps	2
14	37990078CCC	Hexagon socket head screws M8*30	4
15	37990117CCC	8 ball pad	5
16	37410024CCC	Circlip 5	2
17	37410021CCC	Nylon cover 5 (for hanging board on the back cover of side bucket)	4
18	37990086CAC	Bolt M6 * 35	2
19	37410025CCC	Side bucket lock hanging plate	2
20	37410023CCC	Rubber pad for hanging board	2
21	37990153CCC	Socket hexagon flat round head screw M6*20	1
22	37990049CCC	Hex nut M8	1
23	37990030CCC	Hexagon flange nuts with non-metallic insert M6	1
24	37400402CCC	Nylon sleeve 14(for lock shaft)	2
25	37400407CCC	Return torsion spring	1

Item	Material number	English name	Unit usage
26	37400401CAC	The lock shaft	1
27	37990167CCC	Hexagon socket round head screw M6*16	2
28	37400403CCC	Limit plate (white zinc)	1
29	37400401CCC	Rear cover lock handle	1
30	37990112CCC	Pacific pad 6 * 18	1
31	37400500CCC	Side bucket front foot leather	1
32	37400600CCC	Side bucket back foot leather	1
33	37990136CCC	Rivet 4 * 13	14
34	37410007CCC	Awning buckle	7
35	37410009CCC	O-ring 21*2.5	7
36	37410900CCC	The plastic plug is ϕ 8	4
37	37410004CCC	Side hopper wire hole rubber ring ϕ 35	1
38	37411000CCC	300 hydraulic lever	1
39	37410600CCC	Spare tire frame welding assembly	1
40	37410011CCC	Spare tire rubber pad	1
41	37350201CFC	External tyre 4.10-18 TS829 4PRTL	1
42	37350100CGC	Rim assembly 2.75*18	1
43	39350300CCC	Left front end cover	1
44	37410010CCC	The spare tire cover	1
45	37410810CFC	Side bucket inner decorative plate (left)	1
46	37410820CFC	Side bucket inner decorative plate (right)	1
47	37990097BCC	Hexagon flange nut M10*1.5 with full metal insert	1
1	3741010011C	Side bucket welding assembly bright night ash	1
1	374101002CC	Side bucket welded assembly desert yellow	1
1	374101004CC	Side hopper welded assembly 曜 rock black	1

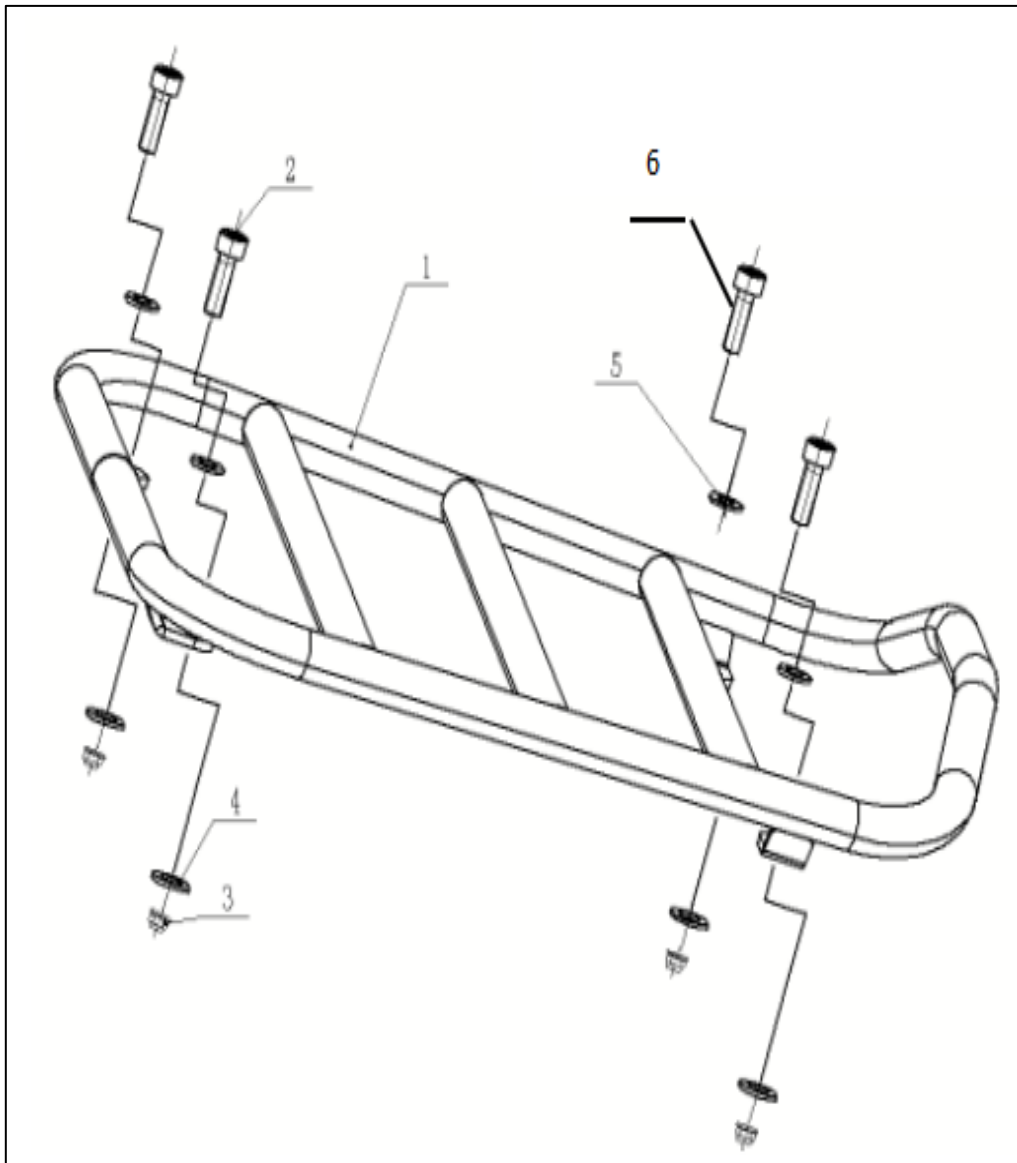
Item	Material number	English name	Unit usage
2	3741020011C	Side bucket back cover yao night ash	1
2	374102002CC	Side bucket back cover desert yellow	1
2	374102004CC	Side bucket back cover 曜 rock black	1
41	37350201CGC	External tyre 4.10-18 TS715 6PRTL	1

37 42- SIDE BUCKET BUMPER WELDING COMPONENTS



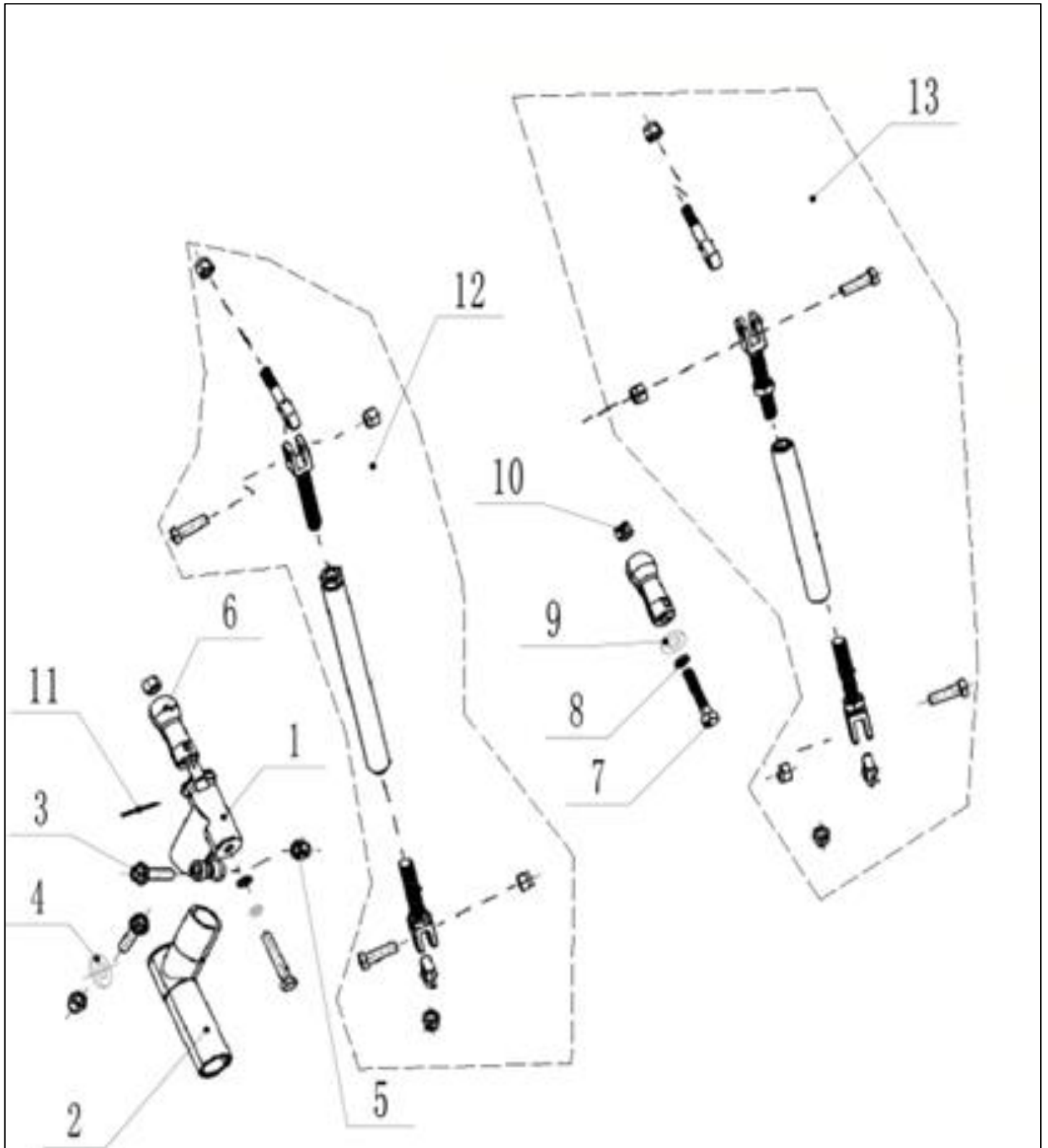
Item	Material number	English name	Unit usage
1	37420100C1C	Front bumper welded assembly	1
2	37420200C1C	Rear bumper welded assembly	1
3	37420400CCC	Front and rear bumper plugs	4
4	37990004CCC	Hexagon socket head screws M8*20	4
5	37990029CCC	Hexagon nuts with flange, M8 (non-metallic insert)	4
6	37990037CCC	Flat mat 8	4
7	39340302000	Nylon cushion 8	6
8	37990004CCC	Hexagon socket head screws M8*20	4
9	37990037CCC	Flat mat 8	4
10	37990029CCC	Hexagon nuts with flange, M8 (non-metallic insert)	4

37 43- SIDE BUCKET SHELF WELDING ASSEMBLY



Item	Material number	English name	Unit usage
1	37430100C1C	Side bucket front shelf welding assembly sub-black	1
2	37990004CCC	Hexagon socket head screws M8*20	2
3	37990029CCC	Hexagon nuts with flange, M8 (non-metallic insert)	4
4	3.934E+10	Nylon cushion 8	6
5	37990037CCC	Flat mat 8	4
6	37990001CCC	Hexagon socket head screws M8*25	2

37 44- SIDE BUCKET CONNECTOR



Item	Material number	English name	Unit usage
1	37440101C1C	Clamp pipe connector one (short)	1
2	37440102C1C	Card connector ii (1)	1
3	37990053CCC	Hexagon flange bolts M12X60	2
4	37990079CCC	Flat mat phi 12 * 24 * 2	2
5	37990085CCC	Hexagon nuts with flange (non-metallic insert) M12*1.75	2
6	37440103CCC	Ball head nurse	4
7	37990062CCC	Hex bolt M12*65	2
8	37990073CCC	Spring washers M12	2
9	37990079CCC	Flat mat 12 * 24 * 2	2
10	37440103C1C	Nut M12	2
11	37990093CCC	Cotter pin 3.5 * 50	2
12	37440200CAC	Side tie rod 1 assembly (black) short	1
13	37440300CAC	Side tie rod 2 assembly (black) long	1

37 21- ON-BOARD ACCESSORIES

Item	Material number	English name	Unit usage
1	37210100CCC	The left rear view mirror	1
2	37210200CCC	The right rear view mirror	1
3	37210300CCC	The accessory tools	1
4	37210002CBC	Specification (Ohm V)	1
5	37471400CCC	Changjiang Archive	1
8	39340302000	Nylon cushion 8	3
9	37210500CCC	After the mud	2
10	37210501CCC	Clamp nut M6	8
11	37990167CCC	Hexagon socket round head screw M6*16	8
12	39340302000	Nylon cushion 8	1
15	37210904CCC	Edge bucket changjiang750 decals	1
16	37210905CAC	Side bucket back cover switch stick (English euro iv special)	1
17	37990167CCC	Hexagon socket round head screw M6*16	2
18	37990030CCC	Hexagon flange nuts with non- metallic insert M6	3
1	37210100CAC	The left rear view mirror	镀铬
2	37210200CAC	The right rear view mirror	镀铬