



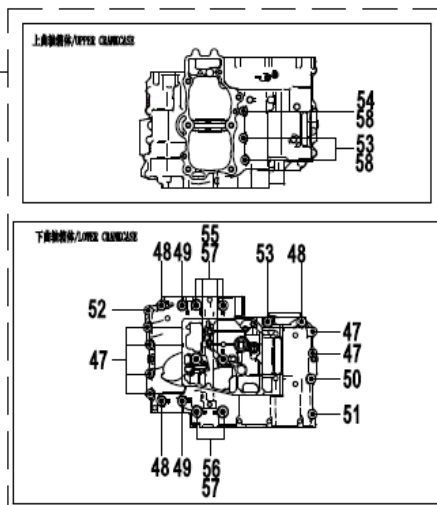
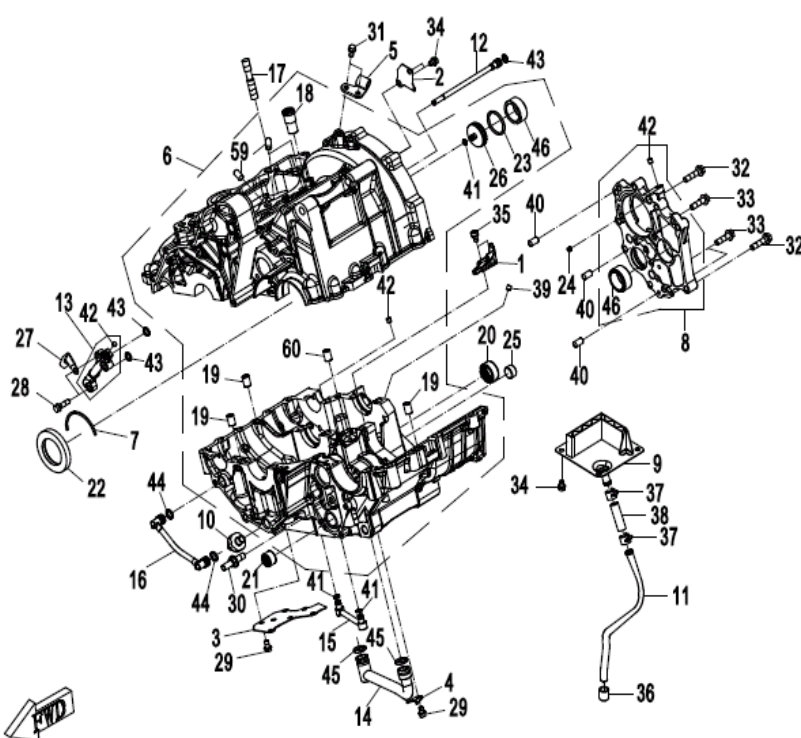
Changjiang CJ650B Euro 5

(MT283-F)

Engine/Transmission Parts List

Section	Part English name
E01-1	UPPER & LOWER CRANKCASE
E01-2	RIGHT&LEFT SIDE COVER
E01-3	OIL PAN
E02-1	CYLINDER HEAD COVER
E02-2	CYLINDER HEAD (1)
E02-3	CYLINDER HEAD (2)
E02-4	CYLINDER BODY
E02-5	CAMSHAFT
E03	MAGNETO
E04-1	CRANKSHAFT &CONNECTING ROD (1)
E04-2	CRANKSHAFT &CONNECTING ROD (2)
E05	CLUTCH
E06-1	TRANSMISSION SYSTEM (1)
E06-2	TRANSMISSION SYSTEM (2)
E06-3	TRANSMISSION SYSTEM (3)
E06-3-V2	TRANSMISSION SYSTEM (3)
E07	LUBRICATION SYSTEM
E08	WATER PUMP
E09	STARTING SYSTEM
E16	BALANCER SHAFT
E17	THROTTLE&INJECTOR
E18	ENGINE GASKET SET
E19	ENGINE OIL SEAL & O-RING SET

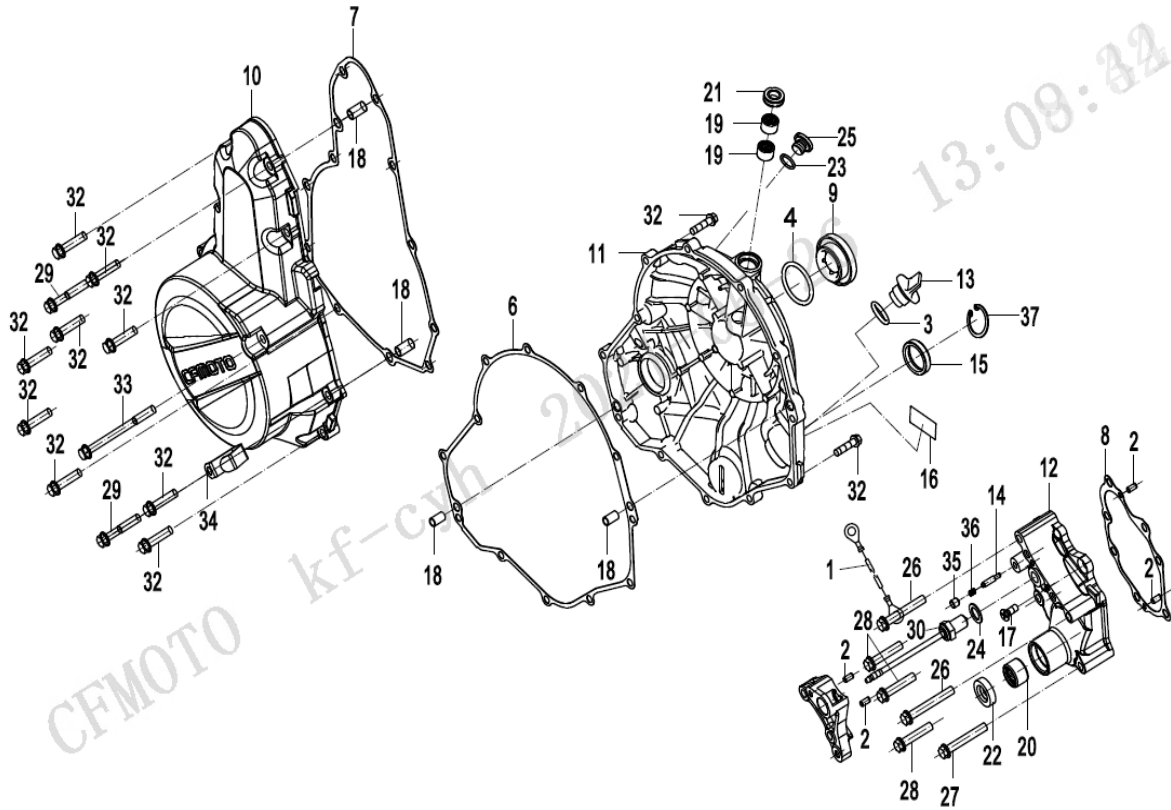
E01-1 上和下曲轴箱分总成/UPPER & LOWER CRANKCASE



02	0700-011104	GUARD, BREATHER	1
03	0700-012006	PLATE, LOWER CRANKCASE	1
04	0700-070001	PLATE, OIL PIPE1	1
05	0700-010002	BRACKET, CLUTCH CABLE	1
06	0700-0100A0-1B20	CRANKCASE ASSY	1
07	0700-010001	RING 62, BEARING	1
08	0700-0660A0	GEAR CASE	1
09	0700-011410	BREATHER ASSY	1
10	0700-012500	SWITCH, OIL PRESSURE	1
11	0700-011402-1000	OIL RETURN HOSE	1
12	0700-011310	OIL PIPE 5	1
13	0700-0112A0-0B20	OIL PIPE 4	1
14	0700-070300	OIL PIPE 1	1
15	0700-012210	OIL PIPE 3	1
16	0700-012710	OIL PIPE 2	1
17	0700-011102-00001	STUD M10x57	1
18	0700-011103	PIPE BREATHER	1
19	30410-01000	ROLLER 10x14	3
20	30403-02200	NEEDLE BEARING HK2212	1
21	30403-01300	NEEDLE BEARING HK1312	1
22	0700-010200	OIL SEAL 40x62x8, COUNTERSHAFT	1
23	0700-011112	O-SEAL RING 29x2.5	1
24	0700-066006-00001	OIL LIMIT PLUG	1
25	0700-012105-00001	PLUG, MAIN OIL RAIL	1

26	0700-011106	PLUG, UPPER CRANKCASE	1
27	0180-014010	WIRE CLAMP	1
28	0010-080013-0010	BOLT M6x22	2
29	0010-080010-0010	BOLT M6x10	7
30	0700-012107-00001	DOWEL PIN, TRANSMISSION SPRING	1
31	0010-021019-0010	BOLT M6x12	2
32	0700-066004-00001	BOLT M7x30	6
33	0700-066007-00001	BOLT M7x26	3
34	0700-011105-00001	BOLT M6x8	6
35	0700-012012-00001	SCREW M6x8	2
36	0700-011403	DAMPER, OIL RETURN HOSE	1
37	30601-211550	STEEL BAND CLAMP B11.5	2
38	0700-011401	CONNECTING PIPE BREATHER	1
39	0700-012104-00001	SCREW PLUG M6, OIL RAIL	1
40	0700-022018	SOLID PIN 8x14	3
41	0700-012201	O-SEAL RING 5x2	3
42	0700-066005	PLUG 6	2
43	0700-011202	O-SEAL RING	3
44	0700-012701	O-SEAL RING	2
45	0700-070003	O-SEAL RING 14x2.5	2
46	0700-011107	SHAFT SLEEVE	2
47	0700-012007-00001	BOLT M7x40	6
48	0700-012004-00001	BOLT M8x60	3
49	0700-012003-00001	BOLT M8x73	2
50	0700-012011-00001	BOLT M8x50	1
51	0700-012009-00001	BOLT M7x34	1
52	0700-012005-00001	BOLT M7x47	1
53	0700-011001-00001	BOLT M8x110	3
54	0700-011002-00001	BOLT M8x120	1
55	0700-012001	BOLT M9x113	4
56	0700-012008-00001	BOLT M9x83	2
57	0700-012002	WASHER	6
58	0010-022012	WASHER 8	3
59	0800-011400	NOZZLE VALVE ASSY	2
60	01A0-056004	DOWEL PIN	1

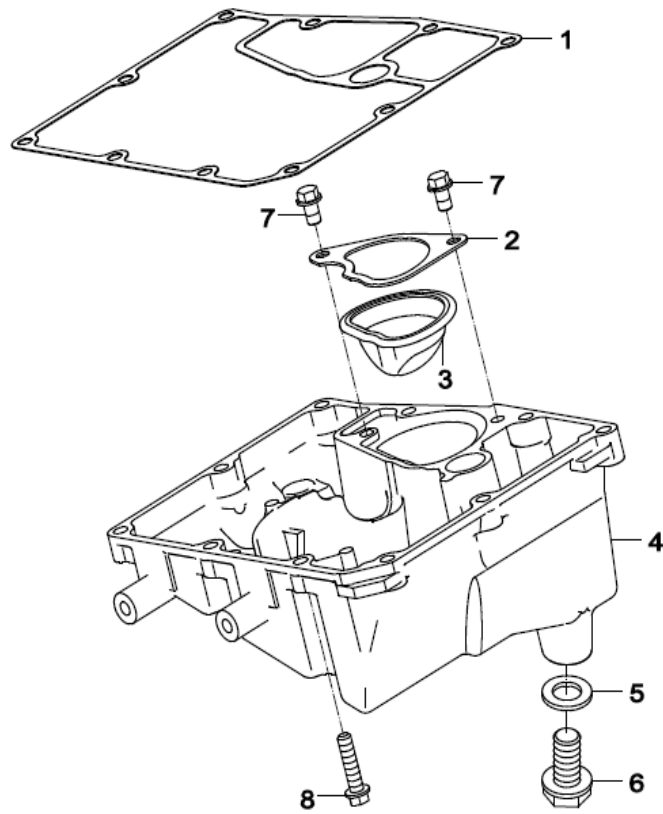
右&左侧盖分总成/ RIGHT&LEFT SIDE COVER



Item	Material number	English name	Unit usage
01	0700-065205	GROUND CABLE, AUXILIARY	1
02	30406-00401	ROLLER NEEDLE P4x7.8	4
03	0110-013030	O-SEAL RING 18x3.55	1
04	01A0-012003	O-SEAL RING 35x3.5	1
06	0700-013002-10000	GASKET, RH SIDE COVER	1
07	0700-014002-10000	GASKET, LH SIDE COVER	1
08	0700-065202-10000	GASKET, TRANSMISSION COVER	1
09	01A0-012002-0HA00	STRAINER COVER	1
09	01A0-012002-0B20	COVER, OIL STRAINER	1
10	0700-014001-6H700	LH SIDE COVER	1
10	0700-014001-2H701	LH SIDE COVER	1
10	0700-014001-50000	LH SIDE COVER	1
10	0700-014001-8B200	LH SIDE COVER	1
10	0700-014001-4B200	SIDE COVER, LH	1
10	0700-014001-2B201	LH SIDE COVER	1
10	0700-014001-7B200	RH SIDE COVER	1
10	0700-014001-7B201	LH SIDE COVER	1
10	0MQ0-014001-10000	LH SIDE COVER	1
11	0700-013001-6-JW1	RH SIDE COVER	1
11	0700-013001-1H702	RH SIDE COVER	1
11	0700-013001-6H700	RH SIDE COVER	1
11	0700-013001-4H700	LH SIDE COVER	1
11	0700-013001-2B200	RH SIDE COVER	1

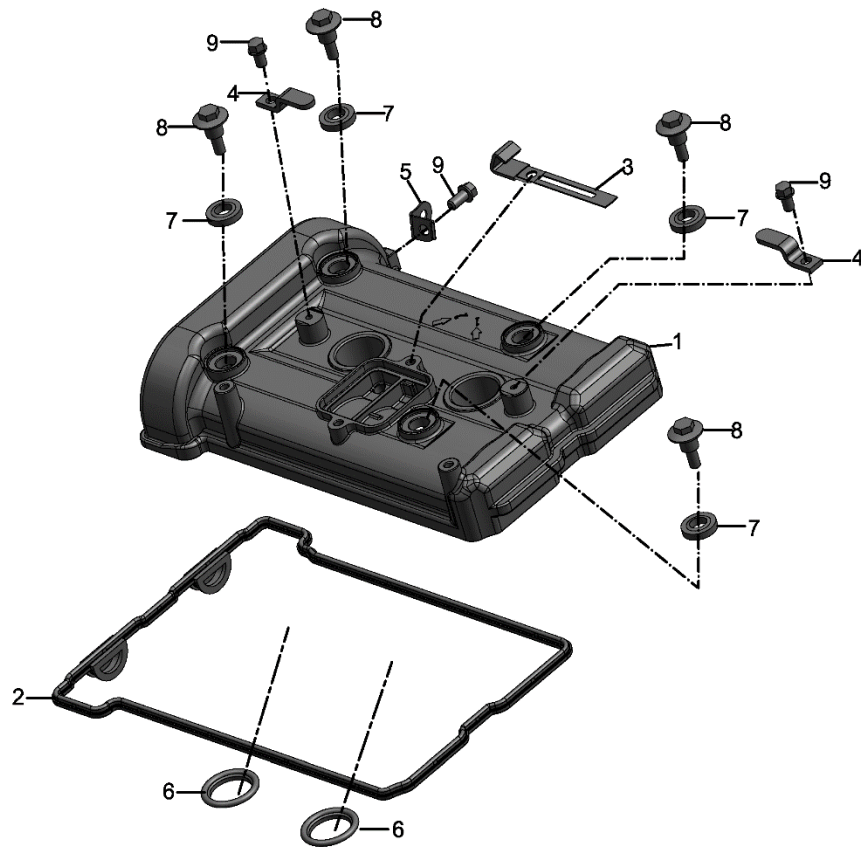
Item	Material number	English name	Unit usage
11	0700-013001-2V500	SIDE COVER, RH	1
11	0700-013001-1H701	RH SIDE COVER	1
11	0700-013001-1B201	RH SIDE COVER	1
11	0700-013001-6H700	RH SIDE COVER	1
11	0700-013001-30000	RH SIDE COVER	1
11	0700-013001-5B200	RH SIDE COVER	1
11	0700-013001-BB200	RH SIDE COVER	1
11	0700-013001-5B201	RH SIDE COVER	1
11	0700-013001-3BB01	RH SIDE COVER	1
11	0MQ0-013001-4B200	RH SIDE COVER	1
13	0700-013008	PLUG, OIL FILLING	1
14	0700-065204	CONTACTOR	1
15	0700-013100-00001	VIEWER, OIL LEVEL	1
16	0700-013005-30000	LABEL, OIL CAPACITY	1
16	0700-013005-20000	LABEL, OIL CAPACITY	1
17	30128-060016830	SCREW M6x16	1
18	0010-080008	DOWEL PIN	4
19	30403-01200	NEEDLE BEARING HK1210	2
20	30403-01300	NEEDLE BEARING HK1312	1
21	0010-080009	OIL SEAL	1
22	0700-065220	OIL SEAL 13x22x5.5	1
23	01A0-013005	O-SEAL RING	1
24	0010-060010	WASHER 10	1
25	0700-013003-10000	HOLE CAP, TIMING INSPECTION	1
26	0180-013208-0010	BOLT M6x45	2
27	0010-013009-0010	BOLT M6x40	1
28	0010-060012-0010	BOLT M6x30	3
29	0010-013008-0010	BOLT M6x35	2
30	0700-065210	REVERSE SENSOR ASSY	1
32	0010-021017-0010	BOLT M6x25	23
33	0020-011018-0010	BOLT M6x70	1
34	0700-014003	WIRE CLIP	1
35	0700-066005	PLUG 6	1
36	0700-065203	SPRING	1
37	0HU0-013009	RETAINER	1

E01-3 油底壳分总成 OIL PAN



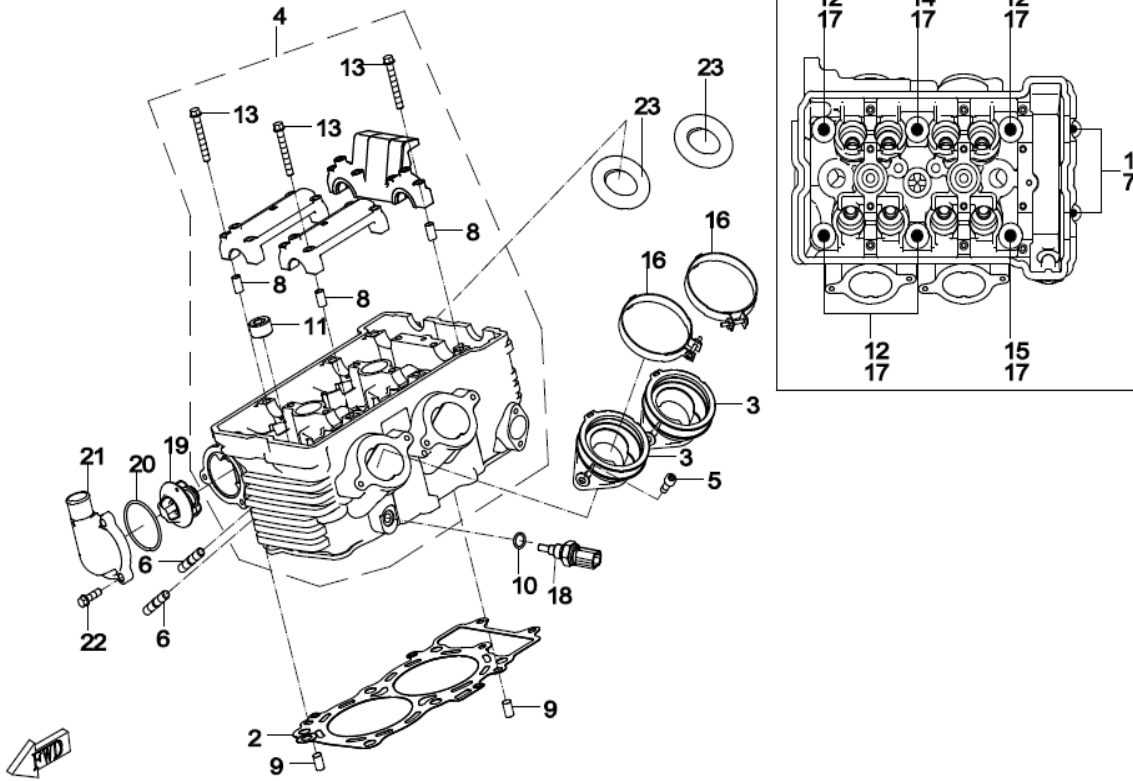
Item	Material number	English name	Unit usage
01	0700-015004-10000	GASKET, OIL PAN	1
02	0700-015003	HOLDER, OIL STRAINER	1
03	0700-015002	OIL STRAINER	1
04	0700-015001	OIL PAN	1
04	0HU0-015001	OIL PAN	1
05	0010-021014	WASHER 12	1
06	0700-015006	DRAIN BOLT, M12x22	1
07	0010-080010-0010	BOLT M6x10	2
08	0010-021017-0010	BOLT M6x25	10

气缸盖罩组/CYLINDER HEAD COVER



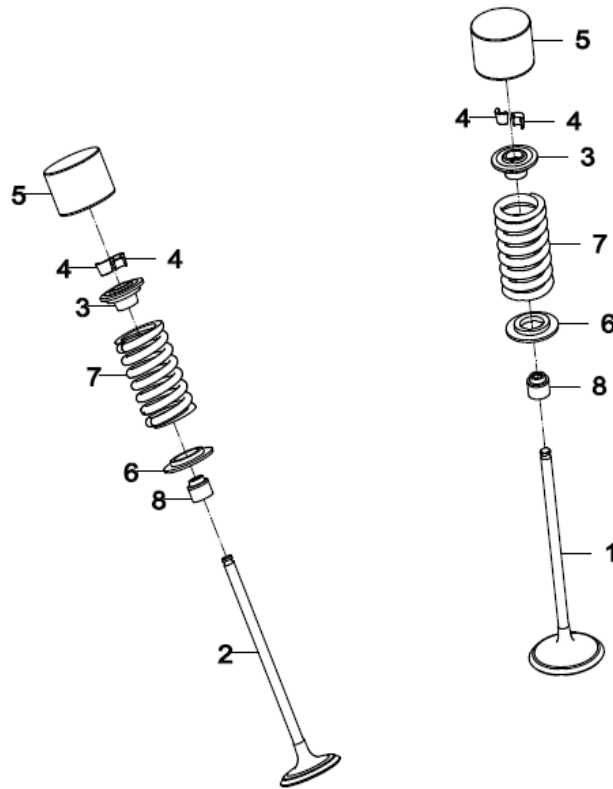
Item	Material number	English name	Unit usage
01	0700-021001-2B200	CYLINDER HEAD COVER	1
01	0700-021001-2H700	COVER, CYLINDER HEAD	1
02	0700-021400-00010	SEAL RING, CYLINDER HEAD COVER	1
03	0180-014010	WIRE CLAMP	1
04	0700-021005	PRESS PLATE	2
05	0700-021002	BRACKET, CLUTCH CABLE	1
06	0700-021300	SEAL RING, SPARK PLUG HOLE	2
07	0700-021200	SEAL RING, CYLINDER HEAD COVER BOLT	4
08	0700-021003-00001	BOLT, CYLINDER HEAD COVER	4
09	0010-021019-0010	BOLT M6x12	1

E02-2 气缸盖总成(1)/CYLINDER HEAD(1)



Item	Material number	English name	Unit usage
01	0HU0-022002	INNER HEX SCREW M6x30	2
02	0700-022100-0001	GASKET KIT, CYLINDER HEAD	1
03	0700-022320-1000	AIR INLET PIPE	2
04	0700-022200-1B200	CYLINDER HEAD ASSY	1
04	0700-022200-2B200	CYLINDER HEAD	1
05	30102-060016810	SCREW	4
06	0180-022003-00001	STUD	4
07	0060-030004-0030	WASHER 6x10.4x1.6	2
08	0010-080008	DOWEL PIN	6
09	0700-022018	SOLID PIN 8x14	2
10	0700-022019	WASHER	1
11	0700-022236	PLUG, PT1/2	3
12	0700-022013-00001	BOLT M10x158, CYLINDER HEAD	4
13	0700-022204	HEX FLANGE BOLT M6x45	12
14	0700-022014-10001	BOLT M10x176, CYLINDER HEAD	1
15	0700-022015-00001	BOLT M10x1.25x80, CYLINDER HEAD	1
16	0700-022330	CLAMP, AIR INLET PIPE	2
17	0700-022016	WASHER 10.5x19x2.3	6
18	018B-022810	WATER TEMPERATURE SENSOR	1
19	0700-022500-0001	THERMOSTAT	1
20	0700-022011	O-SEAL RING 44.5x2.5	1
21	0700-022009-1B200	THERMOSTAT CAP	1
22	0010-023010-0010	BOLT M6x20	3
23	0700-022012	GASKET, EXHAUST PIPE	2

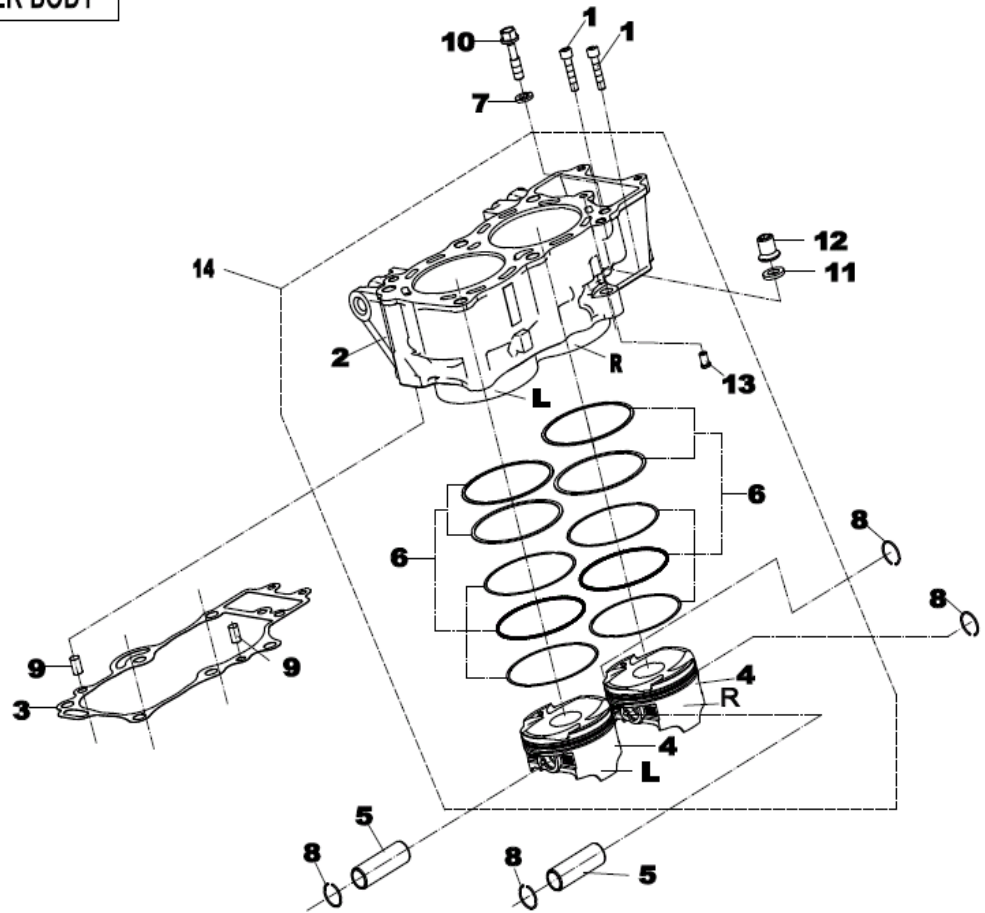
E02-3 气缸盖分总成(2)/CYLINDER HEAD(2)



Item	Material number	English name	Unit usage
01	0700-022001-20000	INTAKE VALVE	4
02	0700-022002-20001	AIR EXHAUST VALVE	4
03	0700-022003	UPPER SEAT, VALVE SPRING	8
04	0700-022004	LOCK CLIP, VALVE	8
05	0700-022005-0540	TAPPET t=-4.28	2
05	0700-022005-0530	TAPPET t=4.26	2
05	0700-022005-0520	TAPPET t=4.24	2
05	0700-022005-0510	TAPPET t=4.22	2
05	0700-022005-0500	TAPPET t=4.20	2
05	0700-022005-0490	TAPPET t=4.18	2
05	0700-022005-0480	TAPPET t=4.16	2
05	0700-022005-0470	TAPPET t=4.14	2
05	0700-022005-0460	TAPPET t=4.12	2
05	0700-022005-0450	TAPPET t=4.10	2
05	0700-022005-0440	TAPPET t=4.08	2
05	0700-022005-0430	TAPPET t=4.06	2
05	0700-022005-0420	TAPPET t=4.04	2
05	0700-022005-0410	TAPPET t=4.02	2
05	0700-022005-0400	TAPPET t=4.00	2
05	0700-022005-0390	TAPPET t=3.98	2
05	0700-022005-0380	TAPPET t=3.96	2
05	0700-022005-0370	TAPPET t=3.94	2
05	0700-022005-0360	TAPPET t=3.92	2
05	0700-022005-0350	TAPPET t=3.90	2
05	0700-022005-0340	TAPPET t=3.88	2

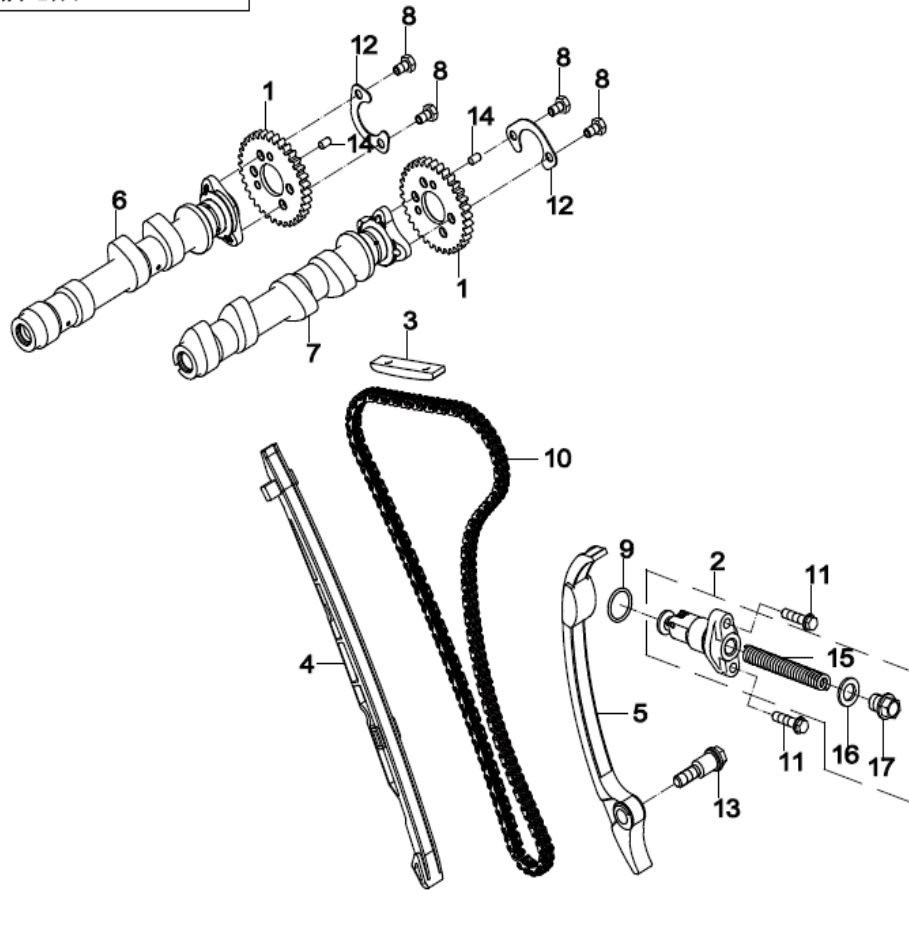
Item	Material number	English name	Unit usage
05	0700-022005-0330	TAPPET t=3.86	2
05	0700-022005-0320	TAPPET t=3.84	2
05	0700-022005-0310	TAPPET t=3.82	2
05	0700-022005-0300	TAPPET t=3.80	2
05	0700-022005-0290	TAPPET t=3.78	2
05	0700-022005-0280	TAPPET t=3.76	2
05	0700-022005-0270	TAPPET t=3.74	2
05	0700-022005-0260	TAPPET t=3.72	2
05	0700-022005-0250	TAPPET t=3.70	2
05	0700-022005-0240	TAPPET t=3.68	2
05	0700-022005-0230	TAPPET t=3.66	2
05	0700-022005-0220	TAPPET t=3.64	2
05	0700-022005-0210	TAPPET t=3.62	2
05	0700-022005-0200	TAPPET t=3.60	2
05	0700-022005-0190	TAPPET t=3.58	2
05	0700-022005-0180	TAPPET t=3.56	2
05	0700-022005-0170	TAPPET t=3.54	2
05	0700-022005-0160	TAPPET t=3.52	2
05	0700-022005-0150	TAPPET t=3.50	2
05	0700-022005-0140	TAPPET t=3.48	2
05	0700-022005-0130	TAPPET t=3.46	2
05	0700-022005-0120	TAPPET t=3.44	2
06	0700-022006	LOWER SEAT, VALVE SPRING	8
07	0700-022007	SPRING, VALVE	8
08	0700-022400-1000	SEAL RING, VALVE STEM	8

E02-4 气缸体总成/CYLINDER BODY



Item	Material number	English name	Unit usage
01	0060-030003-0030	INNER HEX SCREW M6x30	2
02	0700-023001-4B200	CYLINDER BODY	1
03	0700-023002-0001	GASKET, CYLINDER	1
04	0700-040007-10010	PISTON	2
04	0700-040007-10020	PISTON	2
04	0700-040007-10030	PISTON	2
04	0700-040007-10011	PISTON	1
04	0700-040007-10021	PISTON	1
04	0700-040007-10031	PISTON	1
05	0700-040008	PISTON PIN	2
06	0700-0400A0	PISTON RING ASSY	2
07	0700-023004	WASHER	1
08	0700-040009	CIRCLIP, PISTON PIN	4
09	0700-022018	SOLID PIN 8x14	2
10	0700-023003-00001	BOLT M8x43	1
11	0700-022016	WASHER 10.5x19x2.3	1
12	0700-011111-00001	NUT M10x1.25	1
13	0700-023005	RESTRICTION PLUG	1
14	0700-0230A0	PISTON, CYLINDER BODY	1

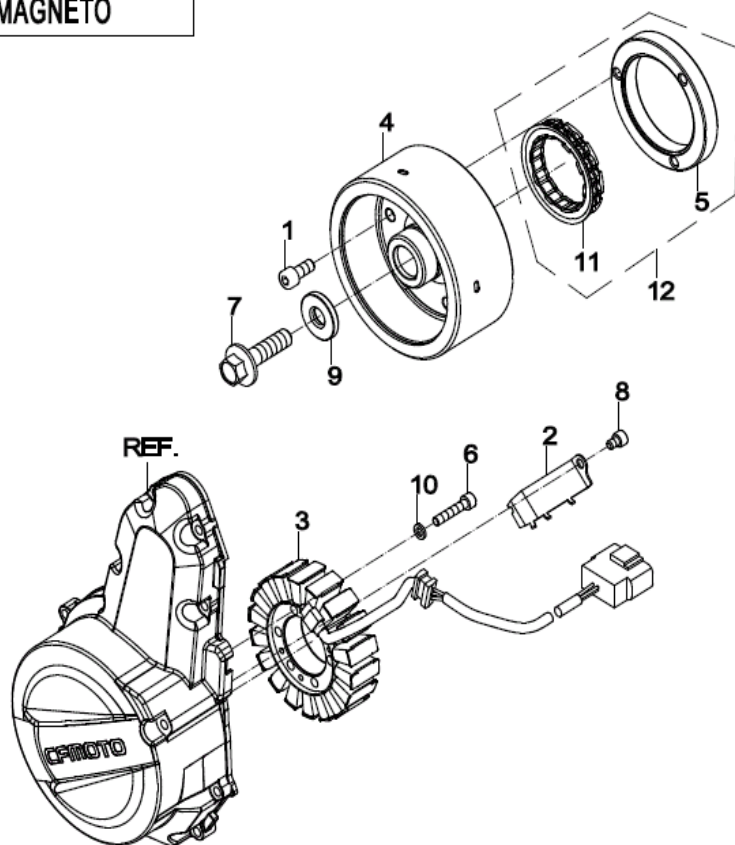
E02-5 配气传动分总成/CAMSHAFT



Item	Material number	English name	Unit usage
01	0700-024002-00030	TIMING SPROCKET	2
02	0700-024110	TENSIONER ASSY	1
03	0700-022017	CHAIN GUIDE BLOCK	1
04	0700-024006	CHAIN GUIDE	1
05	0700-024300	TENSION PLATE ASSY	1
06	0700-024500	CAMSHAFT, EXHAUST	1
07	0700-024400	CAMSHAFT, AIR INLET	1
08	30004-060010150	BOLT M6x10	4
09	0700-024001	O-SEAL RING 19x2	1
10	0700-024200-00030	TIMING CHAIN	1
11	0010-070003-00001	BOLT M6x28	2
12	0700-024003	RETAINER	2
13	0700-024008-00001	PIN SHAFT	1
14	30406-00501	ROLLER NEEDLE P5x7.8	2
15	0700-024104	SPRING, TENSIONER	1

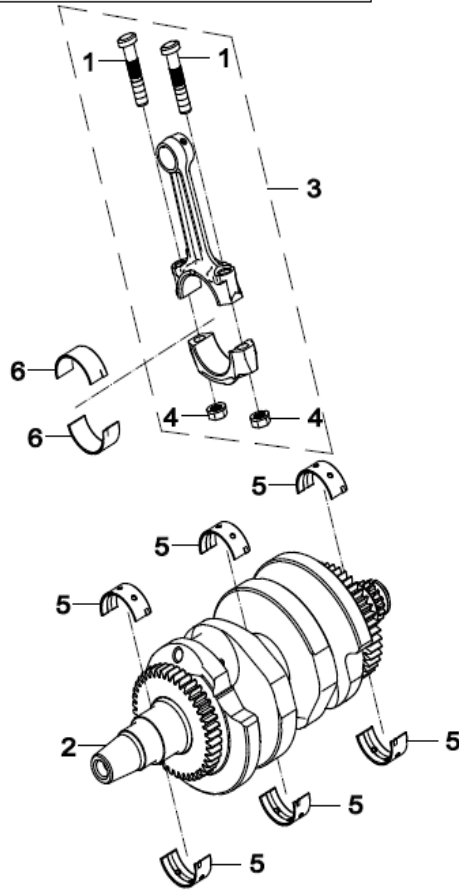
Item	Material number	English name	Unit usage
16	0700-024106	WASHER	1
17	0700-024107	BOLT, SPRING SEAT	1

E03 磁电机总成/MAGNETO



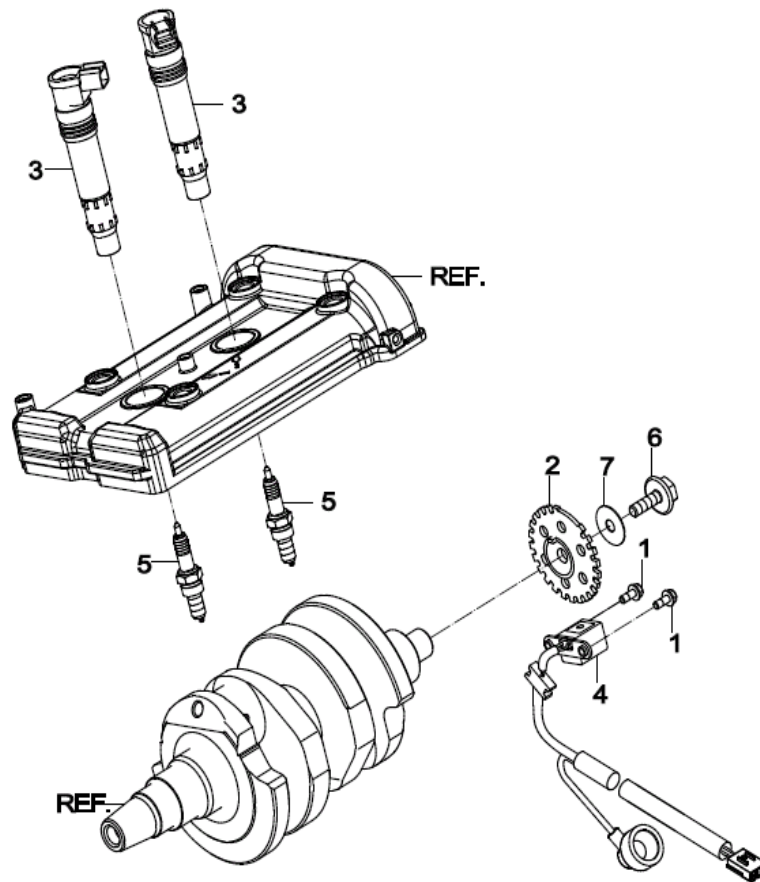
Item	Material number	English name	Unit usage
01	0110-090009-00001	INNER HEX SCREW M8x18	3
02	0700-030001-00001	PLATE	1
03	0700-032000-10000	MAGNETO STATOR	1
04	0700-031000	MAGNETO ROTOR	1
05	0700-091001	COUPLING	1
06	0060-030003-0030	INNER HEX SCREW M6x30	3
07	0700-040001-20000	BOLT M12x1.25x45	1
08	0010-090006-0010	SCREW M6x12	1
09	0700-040002-00001	WASHER	1
10	0060-030004-0030	WASHER 6x10.4x1.6	3
11	0700-091200	CLUTCH, ONE-WAY	1
12	0700-091000	OVERRIDING CLUTCH	1

E04-1 曲轴连杆总成(1)/CRANKSHAFT &CONNECTING ROD(1)



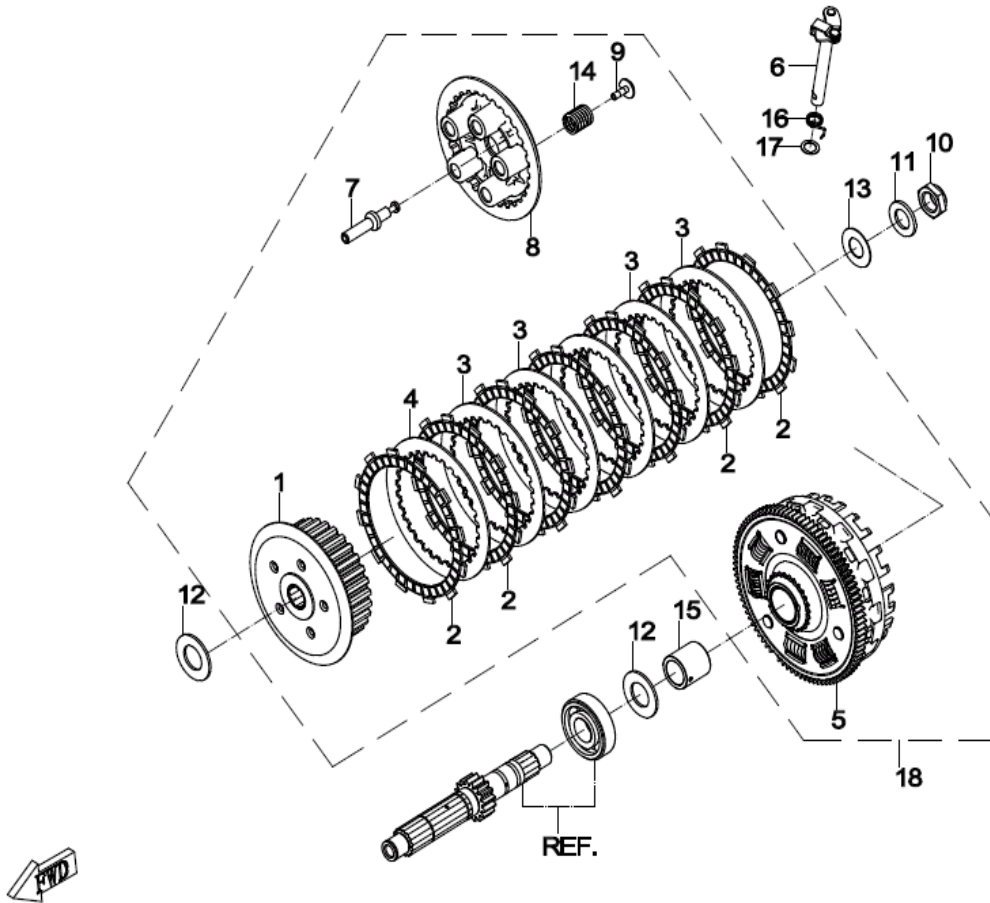
Item	Material number	English name	Unit usage
01	0700-041203-10000	BOLT, CONNECTING RID	4
02	0700-041100-10000	CRANKSHAFT ASSY	1
03	0700-041200-40010	CONNECTING ROD ASSY	2
04	0700-041204	NUT, CONNECTING ROD	4
05	0700-011003-0002	PLAIN BEARING, MAIN	6
05	0700-011003-0001	PLAIN BEARING, MAIN	6
05	0700-011003-00021	MAIN PLAIN BEARING	6
06	0700-041001-30000	PLAIN BEARING, CONNECTING ROD 1.488~1.491	4
06	0700-041001-30020	PLAIN BEARING, CONNECTING ROD 1.485~1.488	4
06	0700-041001-30010	PLAIN BEARING, CONNECTING ROD 1.491~1.494	4
06	0700-041001-30030	PLAIN BEARING, CONNECTING ROD 1.494~1.497	4
06	0700-041001-30040	PLAIN BEARING, CONNECTING ROD 1.494~1.497	4
06	0700-041001-30050	PLAIN BEARING, CONNECTING ROD1.497~1.500	4

E04-2 曲轴连杆总成(2)/CRANKSHAFT &CONNECTING ROD(2)



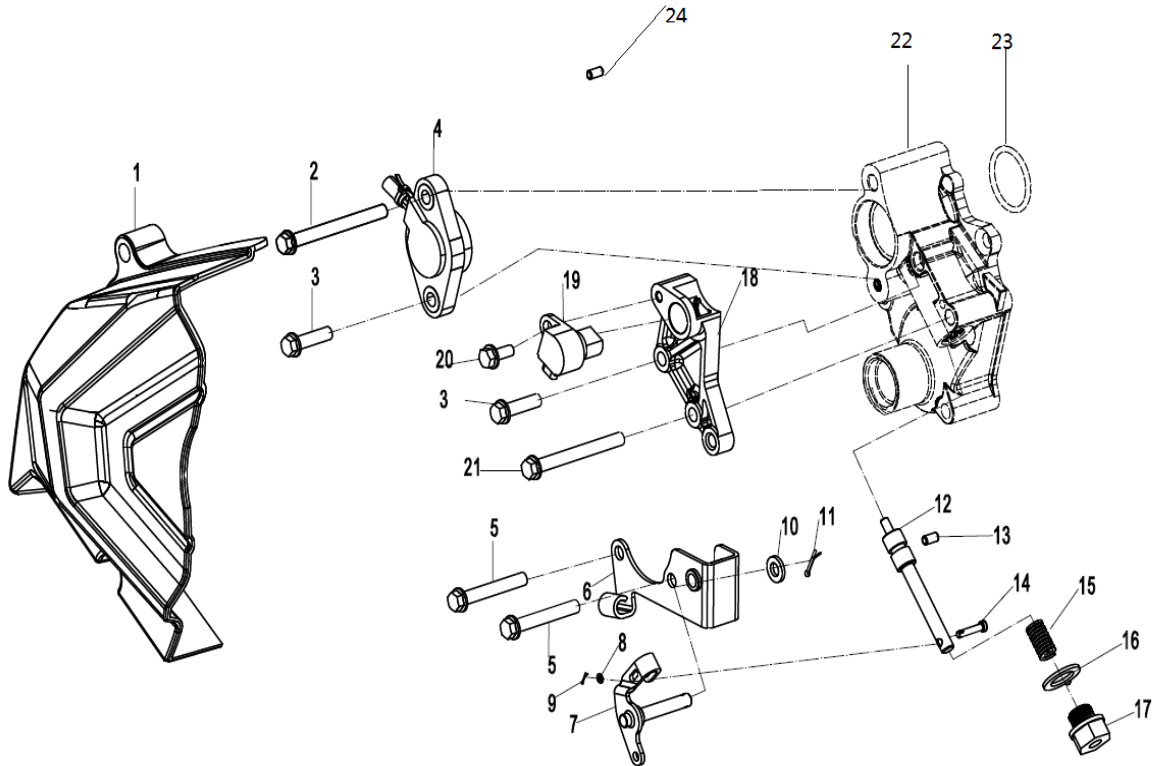
Item	Material number	English name	Unit usage
01	0700-012013-00001	BOLT M5x12	2
02	0700-040005-10000	PULSING ROTOR, CRANKCASE	1
03	0700-178000	IGNITION COIL	2
03	0700-178000-20000	IGNITION COIL	1
04	0700-012400-00001	PICK UP ASSY	1
04	0700-012400-10000	TRIGGER	1
05	0700-170200	SPARK PLUG	2
06	0700-040003-00001	BOLT M8x23	1
07	0700-040004	WASHER 8.5 x 28 x 0.8	1

E05 离合器总成/CLUTCH



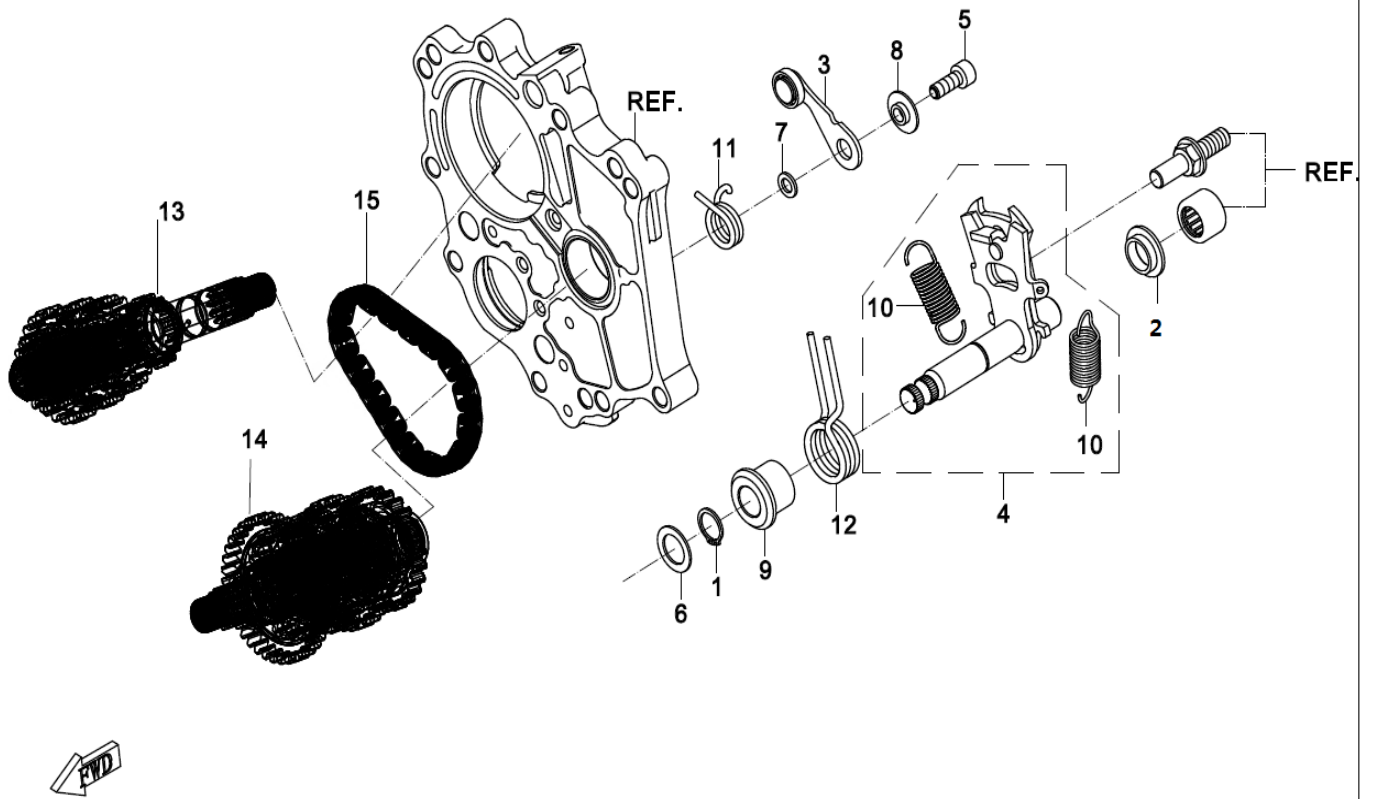
Item	Material number	English name	Unit usage
01	0700-050100	CENTRAL SLEEVE	1
02	0700-050200	FRICTION PLATE	7
03	0700-050001	STEEL PLATE B	5
04	0700-050005	STEEL PLATE A	1
05	0700-051000	HOUSING ASSY	1
06	0700-013200-20000	CLUTCH CONTROL SHAFT ASSY	1
07	0700-050004	TIE-ROD	1
08	0700-0500B0	OPERATING PAD, CLUTCH	1
09	0700-050300	BOLT M6x20	5
10	0700-061002-00001	NUT	1
11	0700-061003	CIRCLIP 20	1
12	0700-061005	WASHER 25.5 x 47 x 2.5	2
13	0A70-011007	WASHER 20x40x1	1
14	0700-050002	PRESS SPRING	5
15	0700-061004-00010	SHAFT SLEEVE, CLUTCH	1
16	0700-013006-10000	RETURN SPRING, CLUTCH LEVER	1
17	0700-013007-10000	WASHER 12.5x18.5x0.6	1
18	0700-050000-00010	CLUTCH ASSY	1

E06-2 换档变速总成(2)/TRANSMISSIONSYSTEM(2)



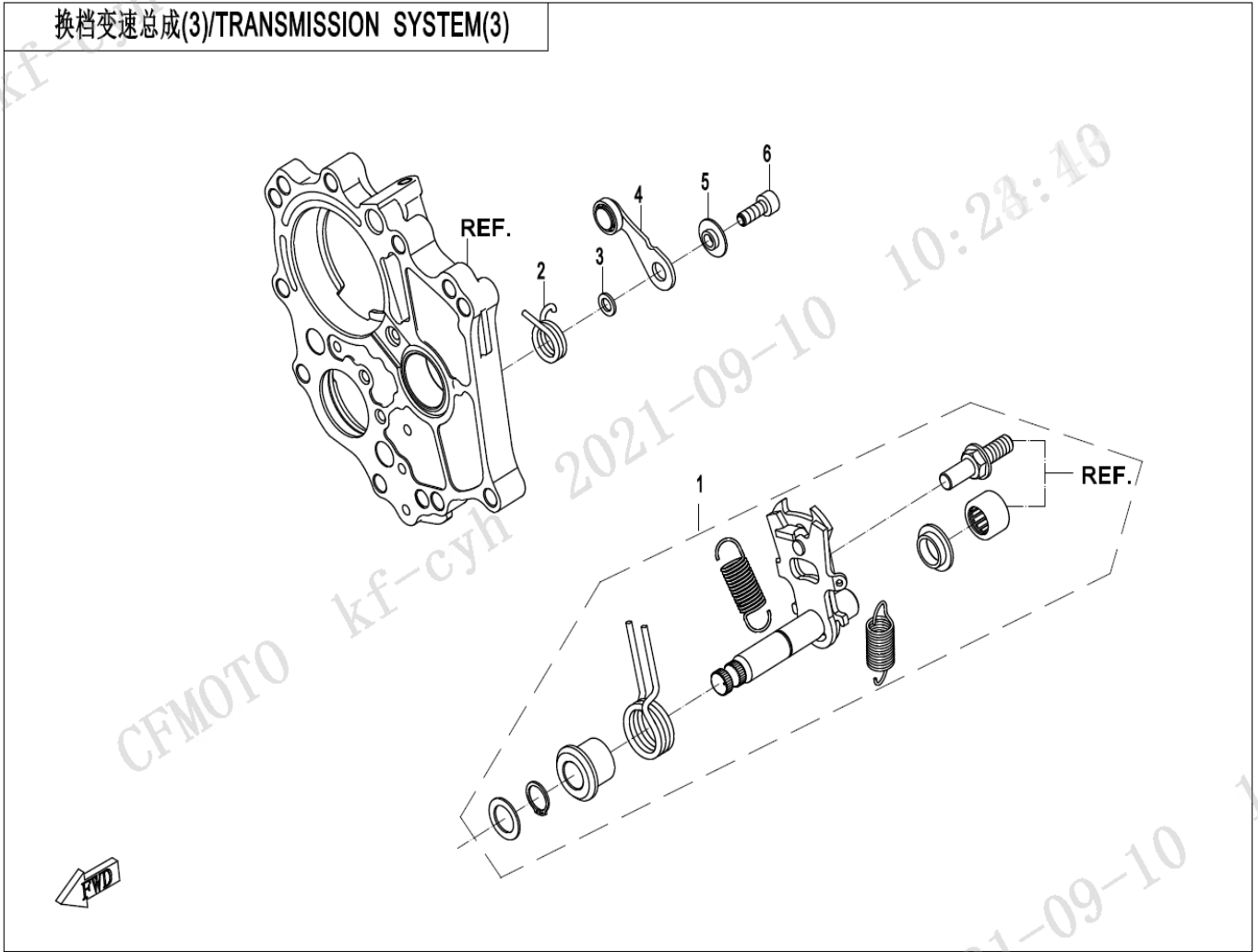
Item	Material number	English name	Unit usage
01	0HTB-069000	SPROCKET COVER ASSY.	1
02	0010-011017-0010	BOLT M6x60	1
03	0010-080013-0010	BOLT M6x22	2
04	0HTV-065210-3000	GEAR TRIGGER	1
04	0HTB-065210-30000	GEAR TRIGGER	1
05	0HTB-065202	BOLT M6x42	2
06	0HTB-067200	BRACKET, SWING ARM	1
07	0HTB-067100	REVERSE SWING ARM ASSY	1
08	30306-030142	WASHER GB97.13	1
09	30903-0121220	COTTER PIN GB911.2 x 12	1
10	30306-060112	WASHER 140HV	1
11	30903-0201610	COTTER PIN	1
12	0HTB-067001	REVERSE LIMIT SHAFT	1
13	0HTB-067005	O-SEAL RING 6.9x1.8	1
14	30904-0301610	PIN SHAFT	1
15	0HTB-067002	REVERSE LIMIT SPRING	1
16	0010-021014	WASHER 12	1
17	0HTB-067003	LIMIT BOLT	1
18	0HTB-065301	BRACKET, SPEED SENSOR	1
19	0700-065310	SPEED SENSOR	1
20	0010-021019-0010	BOLT M6x12	1
21	0010-021018-0010	BOLT M6x55	1
22	0HTB-065201-10000	GEARSHIFT SHAFT COVER	1
23	0700-065206	O-SEAL RING 25.6x2.6	2
24	0HTB-065302	DOWEL PIN 8x8	1

E06-3换档变速总成(3)/TRANSMISSION SYSTEM(3)



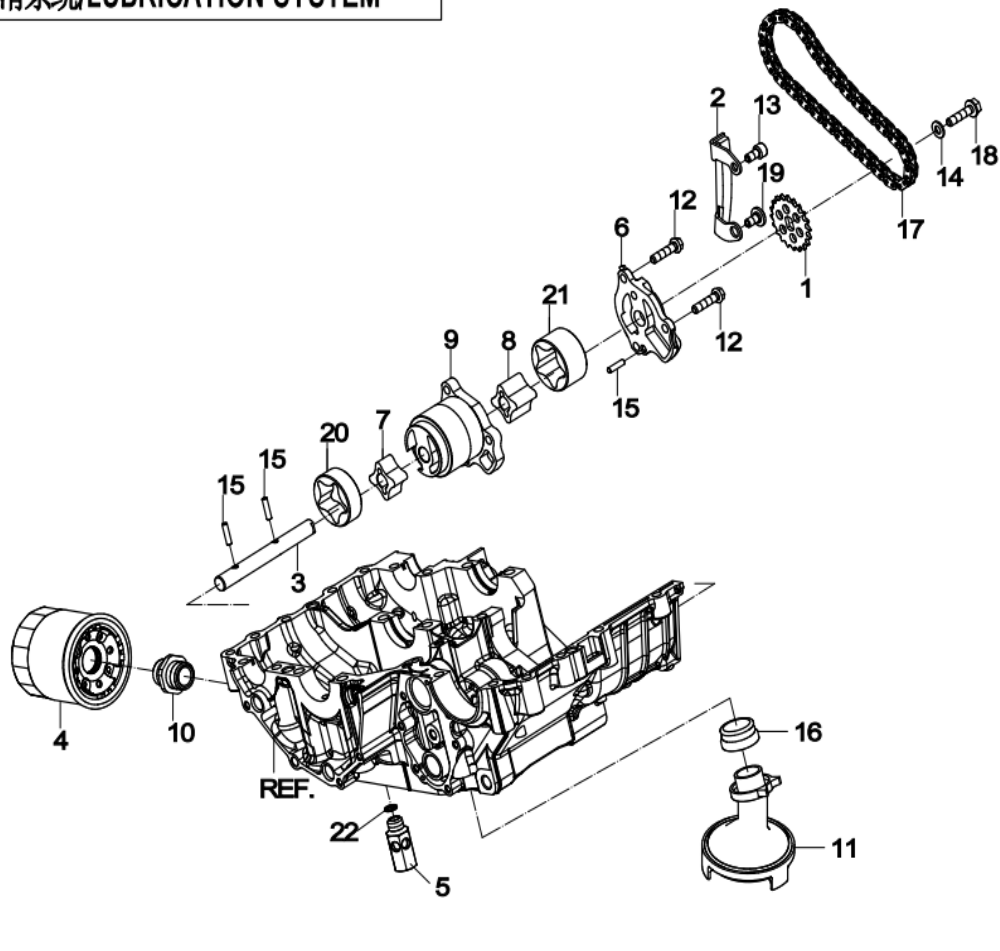
Item	Material number	English name	Unit usage
01	30801-01305	CIRCLIP13 GB894.1 13	1
02	0700-065106	BUSHING 13	1
03	0700-064100	SWING ARM, GEARSHIFT	1
04	0700-0651A0	SHAFT, GEARSHIFT	1
05	30102-060016810	SCREW 8.8	1
06	0700-065101-1000	WASHER 13.2x20x1.5	1
07	0700-064001	WASHER 6.3 x 16.3 x 1.2	1
08	0700-064003	SLEEVE, SWING ARM, GEARSHIFT	1
09	0700-065102	SHAFT SLEEVE	1
10	0700-065107	SPRING, SWING ARM, GEARSHIFT	2
11	0700-064002	SPRING, SWING ARM, GEARSHIFT	1
12	0700-065103-10000	RETURN SPRING, GEARSHIFT	1
13	OHTB-061000-20000	MAIN SHAFT	1
13	OHTB-061000-10000	MAIN SHAFT	1
13	OHTB-061000	MAIN SHAF	1
13	OMQV-061000-4000	MAIN SHAFT 2	1
14	OHTB-062000-20000	COUNTER SHAFT	1
14	OHTB-062000-10000	COUNTER SHAFT	1
14	OHTB-062000	COUNTERSHAFT	1
14	OMQV-062000-4000	COUNTERSHAFT 1	1
14	OHTB-062000-20002	COUNTERSHAFT	1
15	OHTB-068000	REVERSE CHAIN	1

换挡变速总成(3)/TRANSMISSION SYSTEM(3)



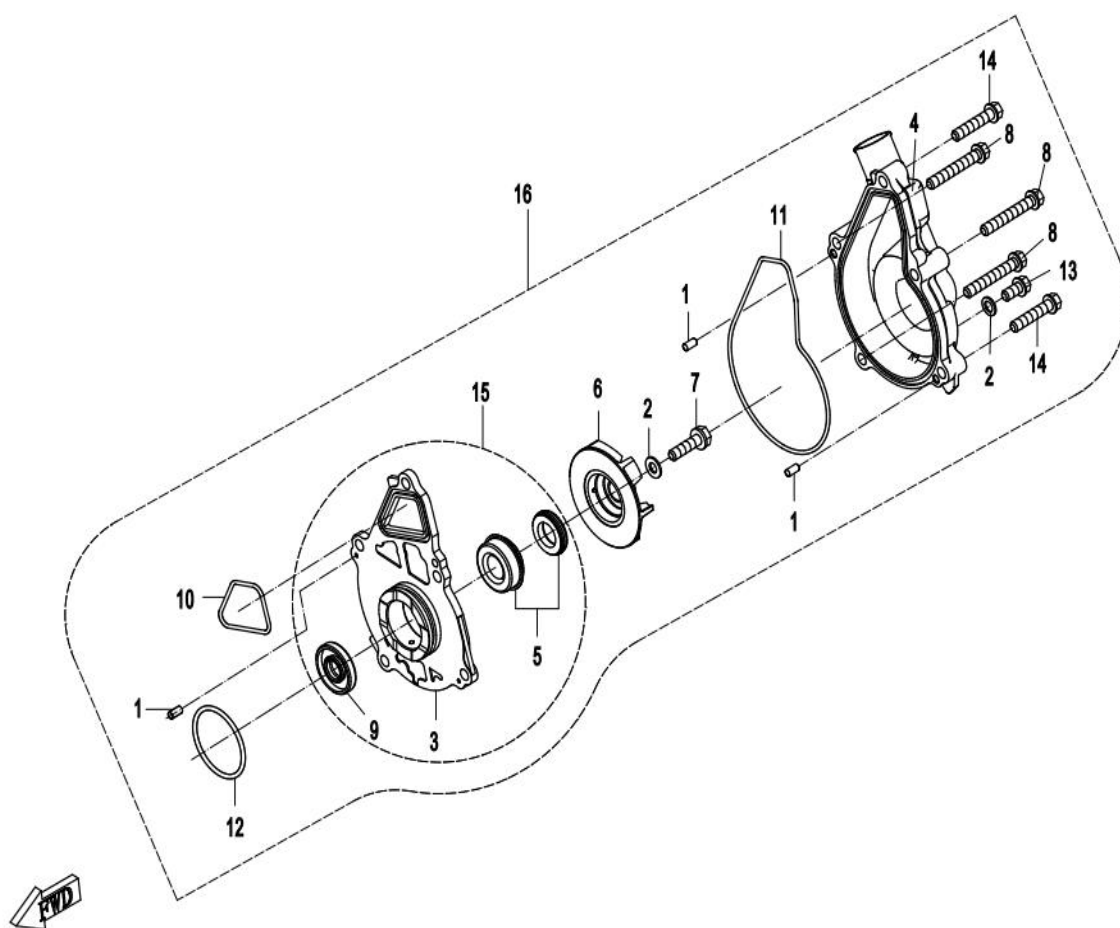
Item	Material number	English name	Unit usage
01	0700-065100-20000	GEARSHIFT SHAFT SUB ASSY	1
02	0700-064002	SPRING, SWING ARM, GEARSHIFT	1
03	0700-064001	WASHER 6.3 x 16.3 x 1.2	1
04	0700-064100	SWING ARM, GEARSHIFT	1
05	0700-064003	SLEEVE, SWING ARM, GEARSHIFT	1
06	30102-060016810	SCREW	1

E07 润滑系统/LUBRICATION SYSTEM



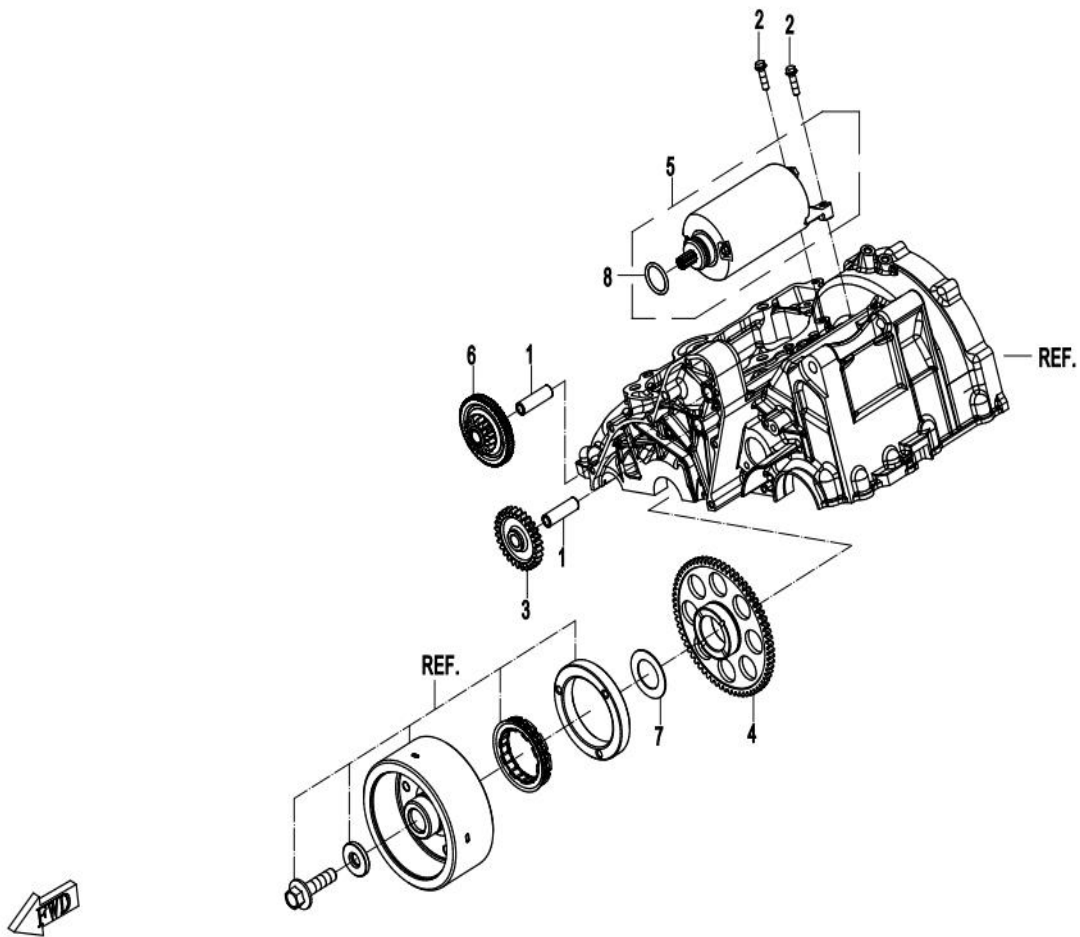
Item	Material number	English name	Unit usage
01	0700-070004	SPROCKET, OIL PUMP	1
02	0700-070400	CHAIN GUIDE, OIL PUMP	1
03	0700-071001	SHAFT, OIL PUMP	1
04	0700-070200	OIL FILTER	1
04	0700-070200-20000		1
05	0700-012600-1000	RELIEF VALVE, OIL	1
06	0700-071006	COVER, OIL PUMP	1
07	0700-071004	INNER ROTOR, MAIN OIL PUMP	1
08	0700-071008	INNER ROTOR, AUXILIARY OIL PUMP	1
09	0700-071002	OIL PUMP	1
10	0700-012106-00001	BOLT, OIL FILTER	1
11	0700-070110	OIL SUCTION PAN ASSY	1
12	0010-021017-0010	BOLT M6x25	3
13	0010-090006-0010	SCREW M6x12	1
14	0700-064001	WASHER	1
15	30406-00400	ROLLER NEEDLE P4x15.8	3
16	0700-070101	GASKET, OIL SUCTION PAN	1
17	0700-070500	CHAIN, OIL PUMP	1
18	0700-070005	BOLT M6x20	1
19	0700-070002-00001	SCREW M6x9	1
20	0700-071003	OUTER ROTOR, MAIN OIL PUMP	1
21	0700-071007	OUTER ROTOR, AUXILIARY OIL PUMP	1
22	0700-012701	O-SEAL RING	1

E08 水泵总成 WATER PUMP



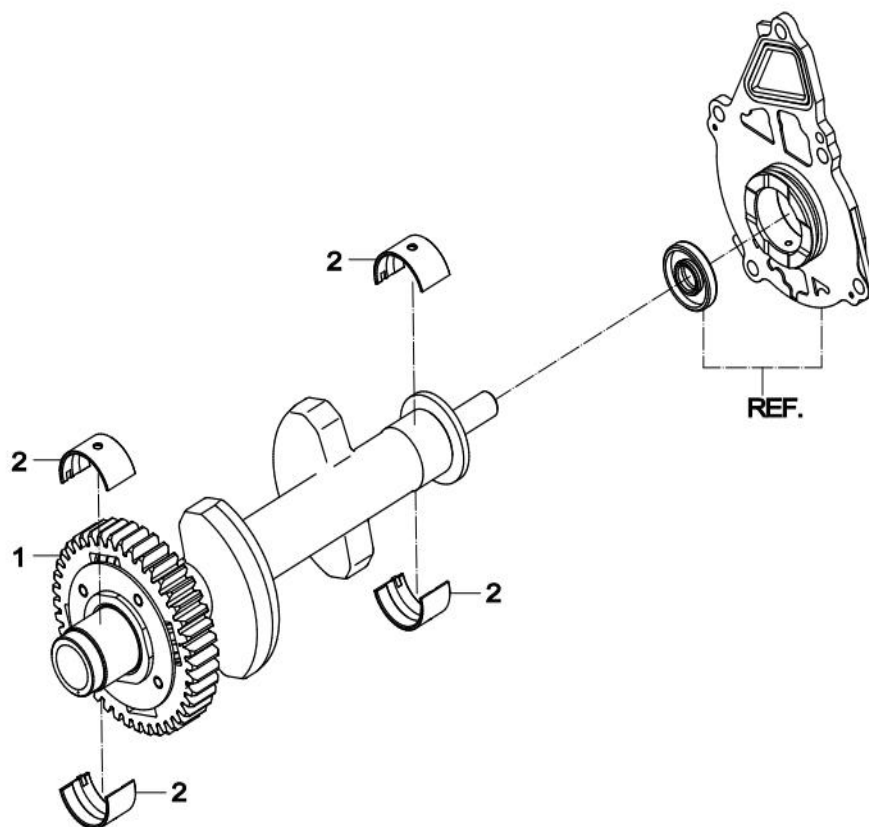
Item	Material number	English name	Unit usage
01	30406-00401	ROLLER NEEDLE P4x7.8	3
02	0010-080011	WASHER 6x12x1	2
03	0700-081001-1B200	WATER PUMP BODY	1
04	0700-080001-0B210	WATER PUMP COVER	1
04	0700-080001-0H700	WATER PUMP COVER	1
04	0700-081001-1BP00	WATER PUMP	1
05	0700-081200	WATER SEAL ASSY	1
06	0700-080003-00001	IMPELLER, WATER PUMP	1
07	0010-080013-0010	BOLT M6x22	1
08	0010-013009-0010	BOLT M6x40	3
09	0700-081100	OIL SEAL 12x32x5.5	1
09	0700-081100-10000	OIL SEAL	1
10	0700-081002	SEAL RING, WATER PUMP HOUSING	1
11	0700-080002	SEAL RING, WATER PUMP COVER	1
12	0180-080002	O-RING 34x2.5	1
13	0010-021019-0010	BOLT M6x12	1
14	0010-060012-0010	BOLT M6x30	2
15	0700-0810A0	WATER PUMP BODY	1
16	0700-0800A0-1B200	WATER PUMP ASSY	1
16	0700-0800A0-0H700	WATER PUMP ASSY	1

E09 启动系统/STARTING SYSTEM



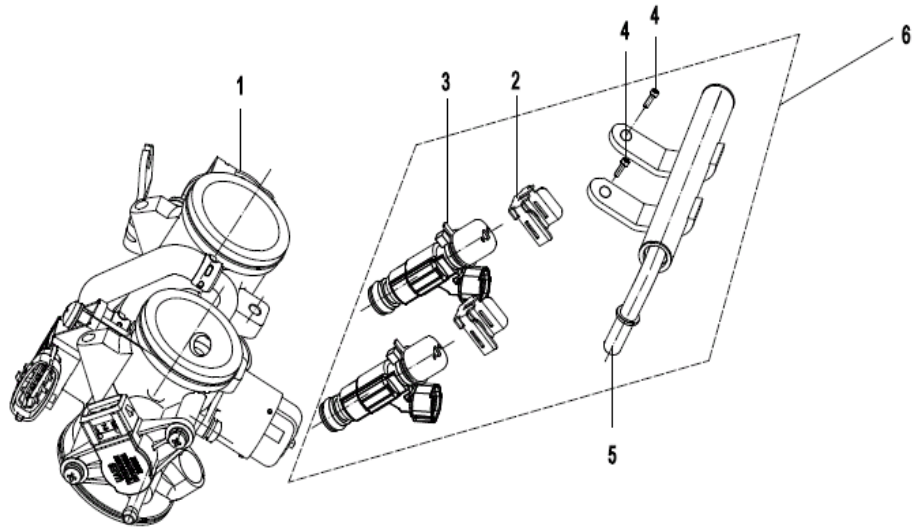
Item	Material number	English name	Unit Price (USD)
01	0700-090003	SHAFT, MIDDLE GEAR	1.32
02	0010-080013-0010	BOLT M6x22	0.44
03	0700-090002	STARTING GEAR	14.74
04	0700-094000-10001	GEAR ASSY, STARTING MOTOR	38.06
05	0HU0-093000	START MOTOR	59.40
06	0700-090004	DUAL GEAR	11.33
07	0700-090001	WASHER 29.2 x 48 x 1.2	1.21
08	0700-093101	O-SEAL RING 24.7x3.10	0.66

E16 平衡轴总成/BALANCER SHAFT



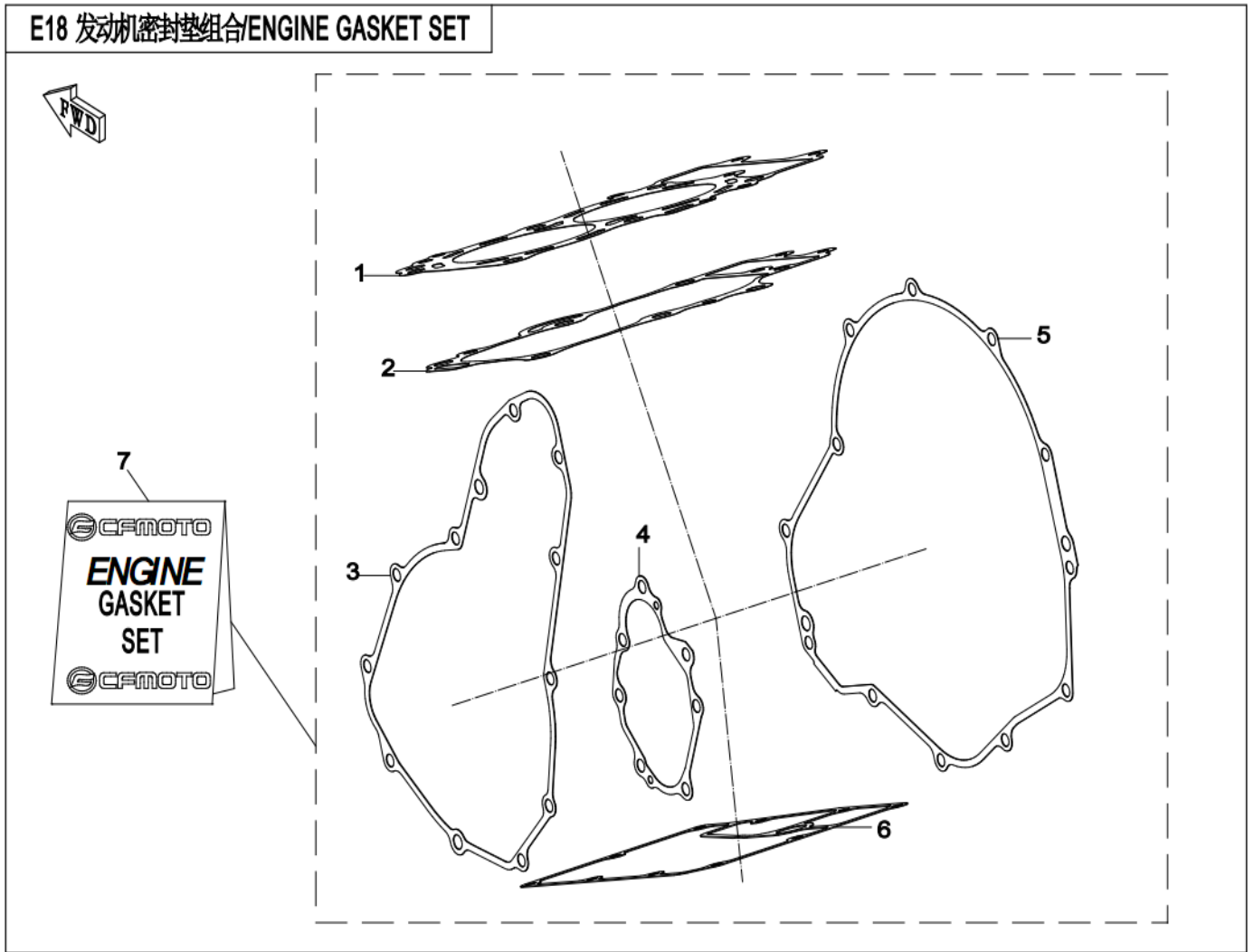
Item	Material number	English name	Unit usage
01	0700-160000-20011	BALANCER SHAFT ASSY 0700-161000-00011	1
01	0700-160000-20021	BALANCER SHAFT ASSY	1
01	0700-160000-30010	BALANCER SHAFT ASSY 283MT	1
01	0700-160000-30020	BALANCER SHAFT ASSY 283MT	1
02	0700-011004-0002	PLAIN BEARING, BALANCE SHAFT	4
02	0700-011004-0001	PLAIN BEARING, BALANCE SHAFT	4
02	0700-011004	PLAIN BEARING, BALANCE SHAFT	4
02	0700-011004-00011	PALIN BEARING, BALANCER SHAFT	4

E17 节气门体和喷油器/THROTTLE&INJECTOR



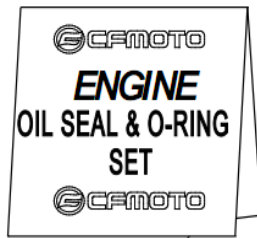
Item	Material number	English name	Unit usage
01	0700-173000-60000	THROTTLE BODY ASSY	1
02	0MQ0-171001	CIRCLIP	2
03	0700-171100	FUEL INJECTOR	2
04	0010-090006-0010	SCREW M6x12	2
06	0700-171000-10000	FUEL RAIL ASSY	1

E18 发动机密封垫组合/ENGINE GASKET SET

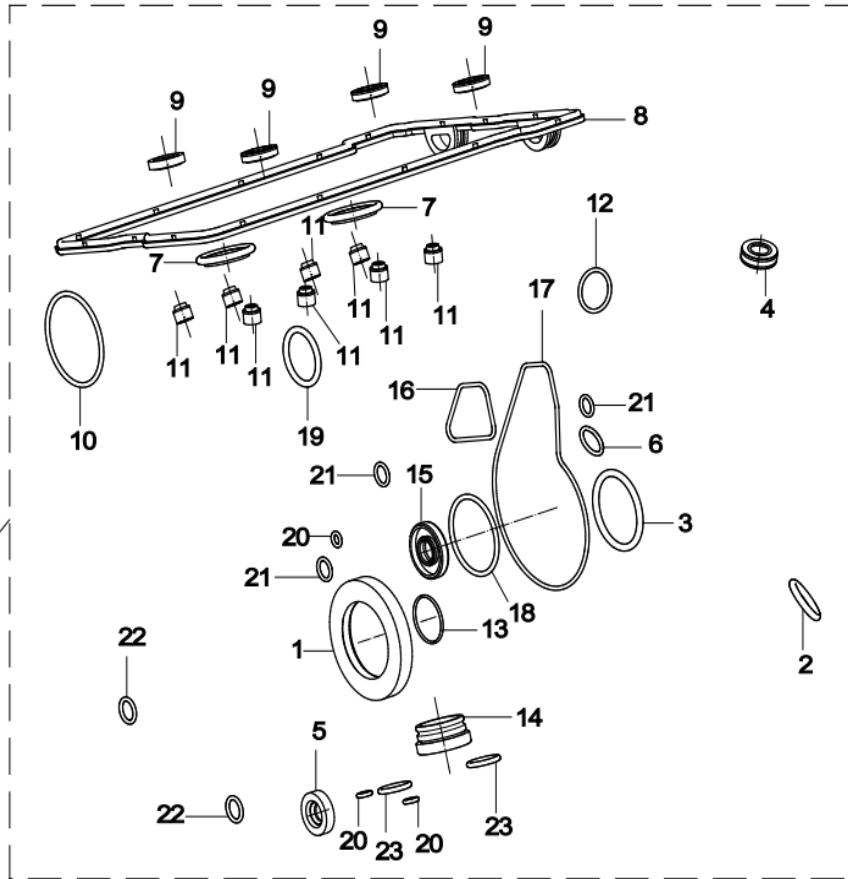


Item	Material number	English name	Unit usage
01	0700-022100-0001	GASKET KIT, CYLINDER HEAD	1
02	0700-023002-0001	GASKET, CYLINDER	1
03	0700-014002-10000	GASKET, LH SIDE COVER	1
04	0700-065202-10000	GASKET, TRANSMISSION COVER	1
05	0700-013002-10000	GASKET, RH SIDE COVER	1
06	0700-015004-10000	GASKET, OIL PAN	1
07	0700-0000A0	ENGINE GASKET SET	1

E19 发动机油封及O型圈/ENGINE OIL SEAL & O-RING SET



24



Item	Material number	English name	Unit usage
01	0700-010200	OIL SEAL 40x62x8, COUNTERSHAFT	1
02	0110-013030	O-SEAL RING 18x3.55	1
03	01A0-012003	O-SEAL RING 35x3.5	1
04	0010-080009	OIL SEAL 12 x 20 x 5	1
05	0700-065220	OIL SEAL 13x22x5.5	1
06	01A0-013005	O-SEAL RING	1
07	0700-021300	SEAL RING, SPARK PLUG HOLE	2
08	0700-021400-00010	SEAL RING, CYLINDER HEAD COVER	1
09	0700-021200	SEAL RING, CYLINDER HEAD COVER BOLT	4
10	0700-022011	O-SEAL RING 44.5x2.5	1
11	0700-022400-1000	SEAL RING, VALVE STEM	8
12	0700-024001	O-SEAL RING 19x2	1
13	0800-062205	O-SEAL RING 25x2	1
14	0700-070101	GASKET, OIL SUCTION PAN	1
15	0700-081100	OIL SEAL 12x32x5.5	1
15	0700-081100-10000	OIL SEAL	1
16	0700-081002	SEAL RING, WATER PUMP HOUSING	1
17	0700-080002	SEAL RING, WATER PUMP COVER	1
18	0180-080002	O-RING 34x2.5	1
19	0700-093101	O-SEAL RING 24.7x3.10	1
20	0700-012201	O-SEAL RING 5x2	3
21	0700-011202	O-SEAL RING	3
22	0700-012701	O-SEAL RING	2
23	0700-070003	O-SEAL RING 14x2.5	2